

A nighttime cityscape with a digital, futuristic aesthetic. The scene is dominated by blue and cyan light trails and beams that sweep across the sky and illuminate the buildings. The city lights are visible in the background, with several tall skyscrapers. The overall mood is high-tech and modern.

eralux

LED LUMINAIRES
Catalog 2023

CEO'S NOTE

FOUNDER OF ERALUX

The idea of ERALUX was born in 2017 with a mission to continuously provide access to energy-saving solutions to our customers and partners. This company is built on four core values which are People, Integrity, Accountability and Fluidity. With these four core values, we have set ourselves apart from a wide range of manufacturers in the industry. Despite being a young company, we can proudly say that we have become the trusted advisor for many key projects and landmarks around North America.

Together at ERALUX, we believe in potential and limitless possibilities for our future. Applying our advanced LED technology, we strive for a cleaner light source while being practical in our luminaire products. Our unparalleled customer service level along with our solid say-do ratio for on-time deliveries makes us one of the best choices for the industry. Our unique portfolio also continues to expand as we tailor our specifications to new market demands and requirements. Our agile product development practices make us one of the fastest product development teams in the world.

ERALUX is a company further established by gratitude, reliability, and transparency where every order matters, and we value the freedom of design. We are a company that puts worth in the smallest of details and work to ensure that the customer experience with our products and services is unmatched. We are a different organization based on the principles of meritocracy and extreme candour. Our team pushes the limit of the definition of unyielding integrity while conducting business. Our partners find themselves working with a unique company.

As the ERALUX Team marks another year of completing several new product introduction programs, I am pleased to present you with the 2022-2023 ERALUX catalogue. I hope you can admire the growth that this company has gone through with me.

I sincerely hope you enjoy browsing through our selection of luminaires.

Best Regards,

A handwritten signature in black ink, appearing to read 'D Wan', with a long horizontal line extending to the right.

David Wan Fong
CEO & President of ERALUX

Our Mission

To continuously help our customers access better energy-saving solutions by leveraging progressive technologies.

Core Values



People

We have a talent-based culture passionate about energy footprints



Integrity

We do what is right



Accountability

We deliver on our promise



Fluidity

We are easy to do business with

Collection

HACHEHAUS

LANGENHAUS

SONNEHAUS

AGRICULTURE



ALPS EVOLVE

MONT BLANC
EVOLVE

ATLANTIS

COMMERCIAL OFFICE



G5 T-GRID



ARTISTA 347
EVOLVE

DOUBLE RING

INFINITA EVOLVE
4"

DOWNLIGHT



INFINITA EVOLVE
8"

KINETA

RING



SLIMA

VERSA



GIMBALS

OOP00



OLP00



CLP30



FCP20



FCP30



GBP38



GFP30



GFP38



INDUSTRIAL FIXTURES

LUMINA



SABER



TITAN BASIC



TRINITY



Collection

LINEAR PRODUCT

ECO STRIP



G5



G5 WALL MOUNT



G6



JOBBER STRIP



MOONRAKER
EVOLVE



SPS



SPT



VADOR



OUTDOOR

GENESYS



RIZZUTO



ZORRO



HERCULES



SALVATION



DONATELLO



LEONARDO



MICHELANGELO



RAPHAEL



SPLINTER



VERMONT



MFW1G3A1/2



MFW1H7D1/2



MFW1I0D1/2



THALASSA ET6020



THALASSA ET6022



THALASSA ET6024



THALASSA ET6120



THALASSA ET6123



THALASSA ET6150



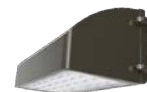
THALASSA ET6161



SAPPHIRE ET7016



ASPIRE



ASTELLANO
EVOLVE



MASSINO



Collection

APOLLO

ARTEMIS

CHANDRA SERIES

TRACKLIGHT



ELEGANZA

ELEGANZA SLIM

EUCLID



HUBBLE

IRIS

KEPLER SERIES



MAVEN SERIES

NUSTAR

ODYSSEY



OSIRIS

PIVOT SERIES

ROSETTA



TERRA SERIES

TRACK SYSTEMS



SPECIALTY
EXITA SERIES

BY-F2230CA



BY-F2231CA



B2408U



BY-F5024CA



BY-F5025CA



EXITA-Z1101U



EXITA-Z1102U



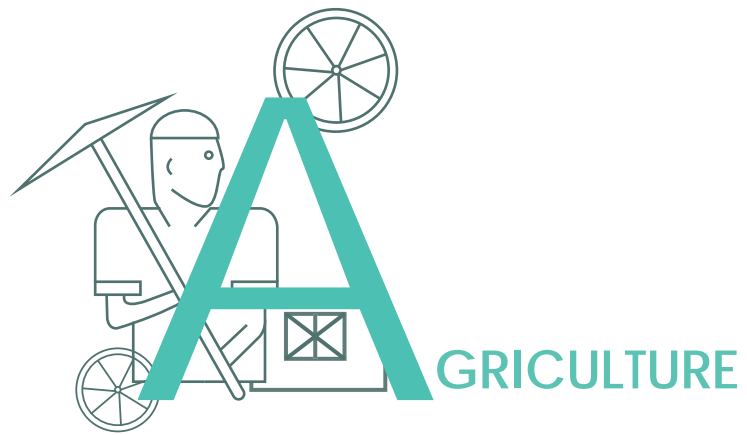
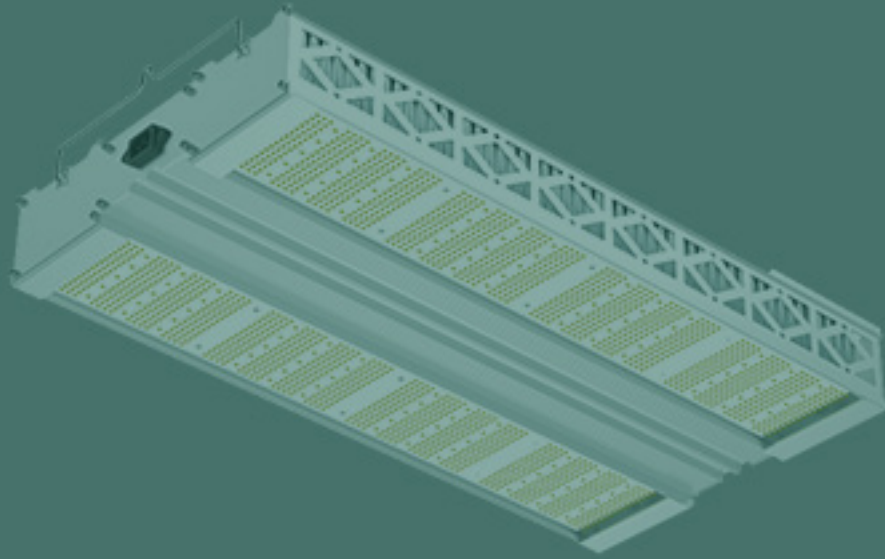
EXITA-Z1102U-N



THE FUTURE OF GROWTH

Optimize plant growth with incredible and reliable LED technologies.

With a full light spectrum recipe, dimming controls, and a variety of wattage provided, ERALUX tailors various conditions for any growth stage. Perfect for a variety of crops and greeneries such as food, decorative plants, and cannabis. Three incredible agriculture fixtures are offered for maximum crop yield: HACHEHAUS, LANGENHAUS and SONNEHAUS. These three LED grow lights improve sustainability and energy costs as they are more durable and more energy efficient.





Known for its sleek and thin exterior, the HACHEHAUS is offered in 4 wattages, varying from 150W to 600W. Available in standard UV, 120-277Vac, input voltage range. With PPF efficiency of 2.7 $\mu\text{mol}/\text{J}$. Certified IP65, allowing HACHEHAUS to be suitable for wet conditions. Each panel of the HACHEHAUS are available individually or combined to produce a uniform light that maximizes plant growth.

OPERATIONS & ELECTRICAL

Power : 150W, 300W, 450W, 600W

PPFD : 150W: 405 $\mu\text{mol}/\text{S}$ - 300W: 810 $\mu\text{mol}/\text{S}$

450W: 1215 $\mu\text{mol}/\text{S}$ - 600W: 1620 $\mu\text{mol}/\text{S}$

PPF efficacy: 2.7 $\mu\text{mol}/\text{J}$

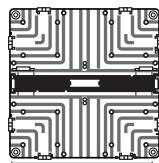
ORDERING GUIDE

Ordering code example: AE-LS-GLO150W-UVSP-D

FIXTURE FAMILY	WATTAGE	VOLTAGE	LIGHT RECIPES (nm)	CONTROLS
	150W- 150 Watts			
AE-LS-GLO ERALUX Hachehaus LED plant grow light	300W- 300 Watts 450W- 450 Watts 600W- 600 Watts	UV 120-277Vac input voltage range	SP Full Spectrum	Dimming 10-100%

HACHEHAUS

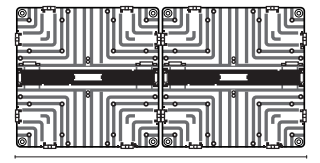
DIMENSIONS



315.6 mm
[12.4 "]
150 W

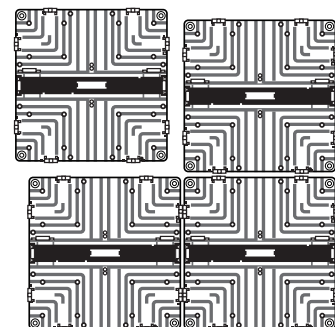


55 mm
[2.2"]



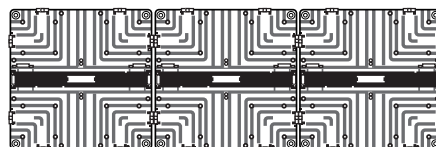
631.2 mm [24.8"]
300 W

315.6 mm
[12.4 "]

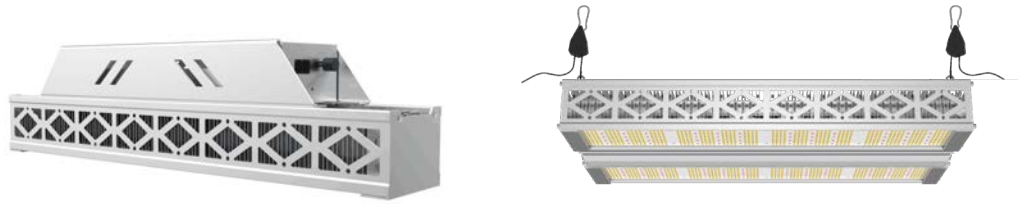


631.2 mm [24.8"]
600 W

631.2 mm
[24.8 "]



946.8 mm [37.2"]
450 W



A great standard industrial grow light solution, the LANGENHAUS is offered in 2 wattage options, 320W and 640W. Available in standard UV, 120-277Vac, as well as HV, 347Vac, input voltage ranges. With PPF efficiency of 2.6 $\mu\text{mol}/\text{J}$. Certified IP65, allowing LANGENHAUS to be suitable for wet conditions. Durable housing made for reliable, long-term use.

OPERATIONS & ELECTRICAL

Power : 320W, 620W
 PPF : 320W: 832 $\mu\text{mol}/\text{S}$
 640W: 1664 $\mu\text{mol}/\text{S}$
 PPF efficacy: 2.6 $\mu\text{mol}/\text{J}$

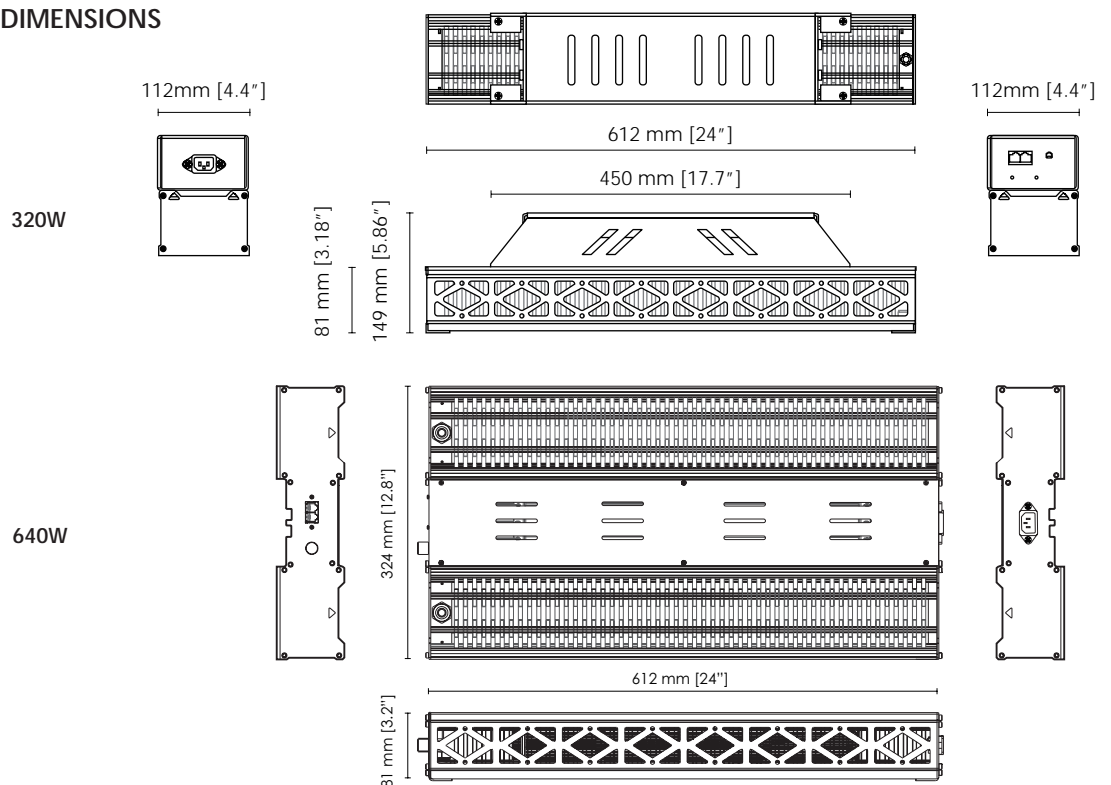
ORDERING GUIDE

Ordering code example: AE-LSL-320W-UV-SP-D

LANGENHAUS

FIXTURE FAMILY	WATTAGE	VOLTAGE	LIGHT RECIPES (nm)	CONTROLS
AE-LSL ERALUX LANGENHAUS LED plant grow light	320W- 320 Watts	UV 120-277Vac input voltage range	SP Full Spectrum	Dimming 0-10%
	640W- 640 Watts	HV 347Vac input voltage range		

DIMENSIONS





The powerful grow light solution, the SONNEHAUS wattage shines at 800W. This ensures that the grow space is optimized for maximum crop yield. Available in standard UV, 120-277Vac, as well as CA, 120-347Vac, input voltage ranges. With PPF efficiency of 2.6 $\mu\text{mol}/\text{J}$. Certified IP65, allowing SONNEHAUS to be suitable for wet conditions. For high performance growers that are seeking the best results within their grow space.

OPERATIONS & ELECTRICAL

Power: 800W
 PPF: 800W: 2080 $\mu\text{mol}/\text{S}$
 PPF efficacy: 2.6 $\mu\text{mol}/\text{J}$

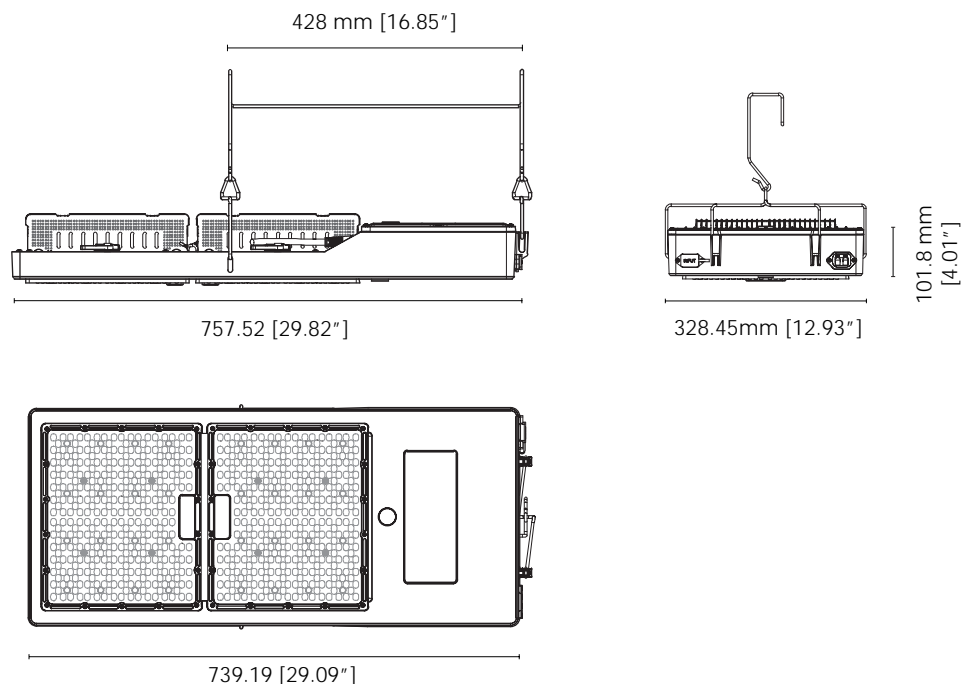
ORDERING GUIDE

Ordering code example: AE-LS-EG-800W-UVSP-WH

SONNEHAUS

FIXTURE FAMILY	WATTAGE	VOLTAGE	LIGHT RECIPES (nm)	COLORS
AE-LS-EG SONNEHAUS LED plant grow light	800W- 800 Watts	UV 120-277Vac input voltage range	SP Full Spectrum	-WH White
		CA 120-347Vac input voltage range		-CS Custom

DIMENSIONS



BRINGING LIGHT INTO WORKSPACES

Commercial setting heightened to elegant levels

Lights areas for employees to create an environment that is ideal for productivity and increased focus, and mood. With these durable and energy-efficient LED fixtures, ERALUX offers commercial office lights that are available in a range of power and CCT that will provide the ideal brightness and light colour for increased productivity and comfort for workers and clients.





Beautifully uniform, recessed lighting, ALPS EVOLVE is offered in 3 sizes, 1x4 ft, 2x2 ft, and 2x4 ft. ALPS EVOLVE is CCT selectable with 4 options, 3000K, 3500K, 4000K, and 5000K. Possible additions for the fixture's controls include dimming and microwave sensor. The ALPS EVOLVE's backlit panel is the seamless choice for the commercial setting.

OPERATIONS & ELECTRICAL

Input Voltage : 120-347Vac

Dimming : 0-10V external dimming down to 10%

Lumens per Watt : 125 LPW at 80CRI

Distribution : Lambertian

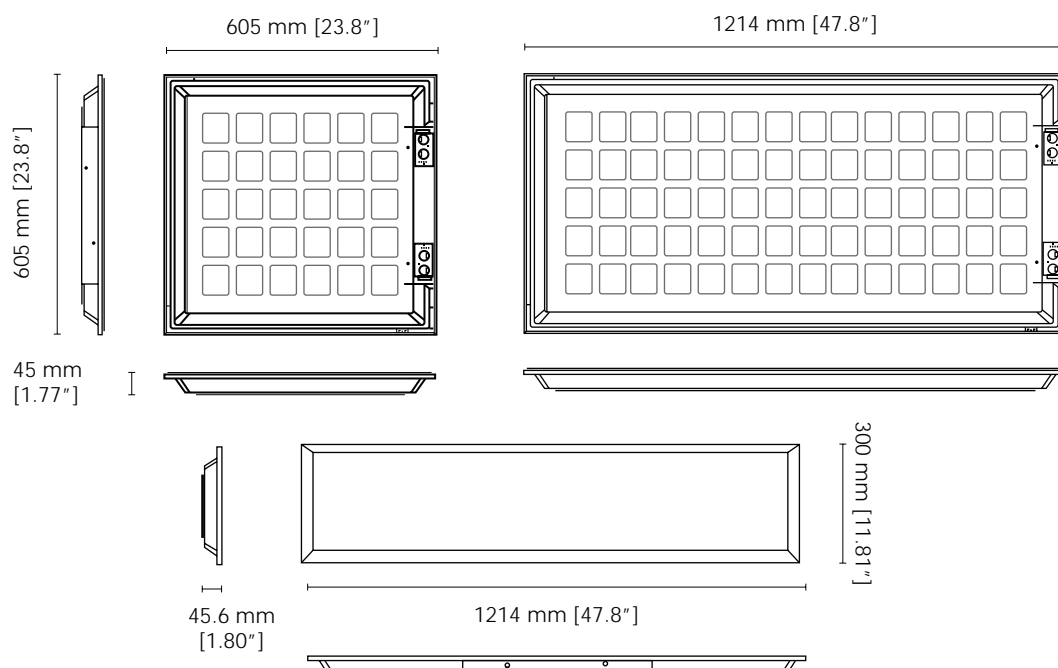
ORDERING GUIDE

Ordering code example: AE-RC-APB-XXW24-28CDMH-01

FIXTURE FAMILY	POWER	SIZE	CONTROLS	INPUT VOLTAGE
AE-RC-APB ALPS Evolve series commercial office backlit panel	-XXW 2x4: 35-40-45-50W 2x2: 20-25-30-35W 1x4: 20-25-30-35W	22 2'x 2' housing	-28CDM 0-10V external dimming down to 10%	L-01 120-244Vac
	CCT Selectable 3000/3500 4000/5000K	14 1'x 4' housing	-28CSM Microwave Motion Sensor	

ALPS EVOLVE

DIMENSIONS





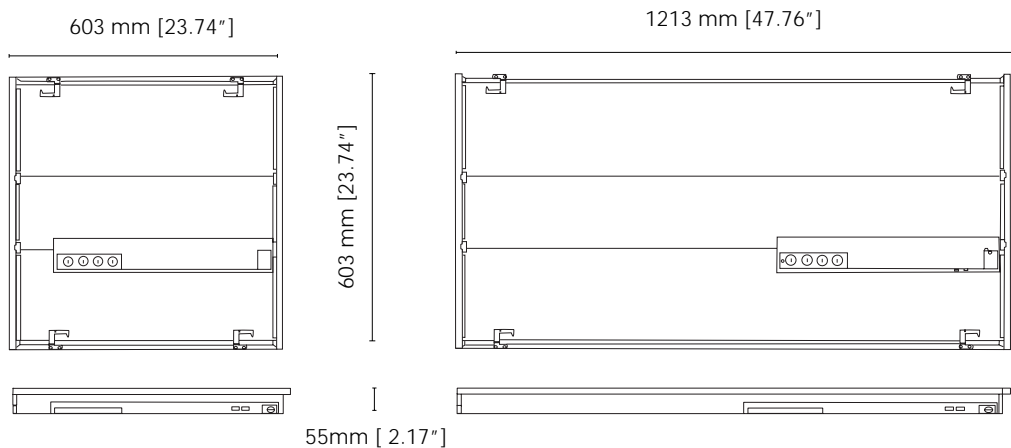
The staple troffer lighting, MONT BLANC EVOLVE is offered in 2 sizes, 2x2 ft, and 2x4 ft. The MONT BLANC EVOLVE is CCT selectable with 2 switchable combinations of colour temperature. Possible additions for the fixture's controls include dimming, motion sensor (MS), emergency battery backup (EMBB) and the combination of MS with EMBB. Available in standard CA, 120-347Vac, input voltage ranges.

OPERATIONS & ELECTRICAL

Input Voltage : 120-347Vac
 Dimming : 0-10V external dimming down to 10%
 Lumens per Watt : 130 LPW at 80CRI
 Distribution : Lambertian

DIMENSIONS

MONT BLANC EVOLVE



ORDERING GUIDE

Ordering code example: AE-RC-MBCA22LBN35/40/50010WH

FIXTURE FAMILY	VOLTAGE	SIZE & POWER	DISTRIBUTION	CRI	CCT	CONTROL	FINISH
AE-RC-MB ERALUX Mont Blanc EVOLVE recessed commercial office volumetric troffe	CA 120-347Vac input voltage range	22 2 x 2 feet 24/30/36 Watts selectable: 3120/3900/4680 lumens selectable	LB 120° Lambertian distribution	N Normal 80 CRI	30/35/40 3000/3500 5000K selectable CCT	010 0-10V external dimming down to 10% MS1 Motion Sensor	WH White
		24 2 x 4 feet 24/36/45 Watts selectable: 3120/4680 5850 lumens selectable			35/40/50 3500/4000/ 5000K selectable CCT		



Our gypsum recessed LED lighting fixture, ATLANTIS is available in 4 ft, 6 ft, and 8 ft with flexible lengths to fit in a variety of buildings. It provides an elegant appearance in any indoor commercial office. The exposed driver and the removable lens make the installation simple and intuitive. This series has been designed to be mounted into gypsum ceilings or walls and designed in comfortable color temperatures in 3500K and 4000K.

OPERATIONS & ELECTRICAL

Input Voltage : 120-277Vac

Dimming : 0-10V external dimming down to 10%

Lumens per Watt : 85-89 LPW at 80CRI

Distribution : Lambertian

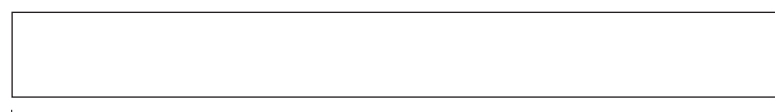
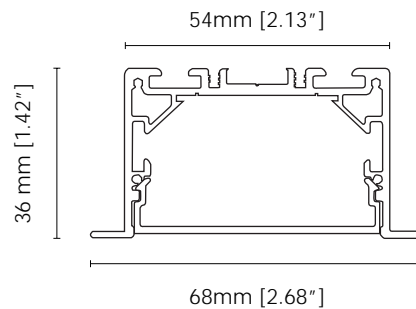
ORDERING GUIDE

Ordering code example: AE-SF-ATL35432WH

ATLANTIS

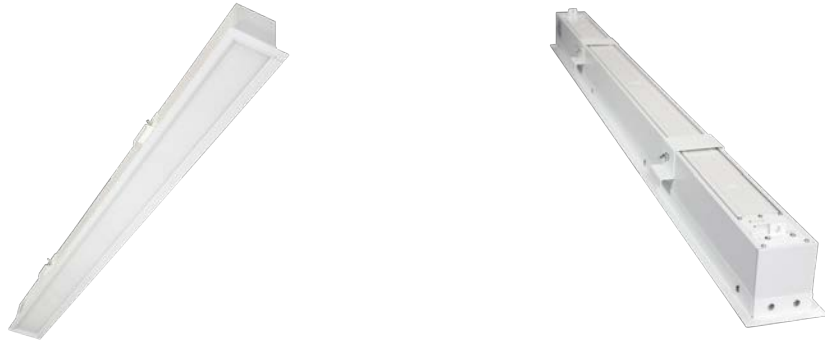
FIXTURE FAMILY	CCT	LENGTH	POWER	FINISH
AE-SF-ATL ERALUX Atlantis linear architectural fixture – 120-277V	35	4 4 feet length	32 32 watts: 2720 lumens	WH White Finish
	35K	6 6 feet length	46 46 watts: 4080 lumens	BK Black Finish
	40 40K	8 8 feet length	62 62 watts: 5440 lumens	SV Silver Finish

DIMENSIONS



1241mm/1850mm/2460mm [48.86"/72.84"/96.85"]

G5 T-GRID

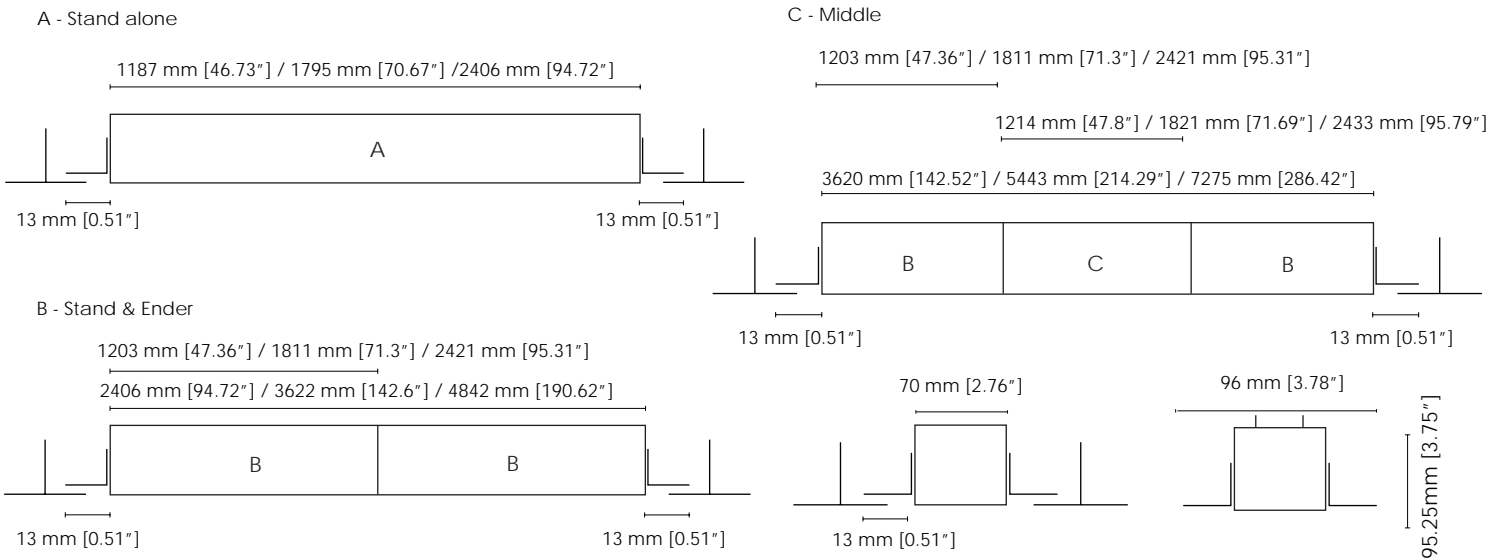


The T-Grid ceiling LED lighting fixture, the G5 RECESSED T-GRID is available in 4 ft, and 8 ft. The G5 RECESSED T-GRID is CCT selectable with 2 switchable combinations of colour temperature. With high flexibility in power, the G5 T-GRID can be ordered in 40W or 70W, operating the fixture at 4200 lumens or 8400 lumens respectively. The fixture is available with a 120-347Vac input voltage range.

OPERATIONS & ELECTRICAL

Input Voltage : 120-347Vac
 Dimming : 0-10V external dimming down to 10%
 Lumens per Watt : 105 LPW at 80CRI
 Distribution : Lambertain

DIMENSIONS



ORDERING GUIDE

Ordering code example: AE-SF-G5CA44030/35/40010WH-R-A

FIXTURE FAMILY	VOLTAGE	LENGTH	POWER	CCT	CONTROLS	FINISH	MOUNTING	TYPE
AE-SF-G5 ERALUX G5 linear architectural fixture	CA 120-347Vac input voltage range	4 4 feet	40 40 watts: 4200 lumens	30/35/40 3000/3500 4000K selectable CCT	010 0-10V external dimming down to 10%	WH-GB ERALUX Nebula White	-R- Recessed mounting on T-grids	A Stand alone
		6 6 feet	50 50 watts: 5250 lumens	B Starter & Ender				
		8 8 feet	70 70 watts: 8400 lumens	C Middle				

A SIMPLE YET EFFECTIVE CHOICE

Seamless, and graceful, downlights are made to enhance intricacy, or complement simplicity.

Available at ERALUX in a variety of lumens, Colour Rendering Index (CRI), CCTs, distribution, adapters, and colour finishes. Adding style and sophistication to any area indoors or outdoors, downlights are great in-ceiling fixtures which allow light to shine down to the desired space. Mainly used for general lighting for an overall space when using a higher beam angle, ERALUX's range of downlights are customizable which allows you to be creative and match with the right ambiance and style as your space. Downlights with a smaller beam angle will create more focused lighting to accentuate specific artworks or architectural designs. With these LED downlights, ERALUX offers products that maximize the light output for less energy.





The recessed ARTISTA 347 EVOLVE is available with a 6" or 8" round diameter and reaches 120-347VAC. ARTISTA 347 EVOLVE is CCT selectable with 4 options: 3000K, 3500K, 4000K, or 5000K. The ARTISTA 347 EVOLVE comes in 12-17.5W for the 6" housing, or 18-24W, and 21-32W for the 8" housing. The fixture's controls include dimming down to 10%.

OPERATIONS & ELECTRICAL

Input Voltage : 120-347Vac
 Dimming : 0-10V external dimming down to 10%
 Lumens per Watt : 83 LPW at 90CRI
 Distribution : Beam Angle : 90°

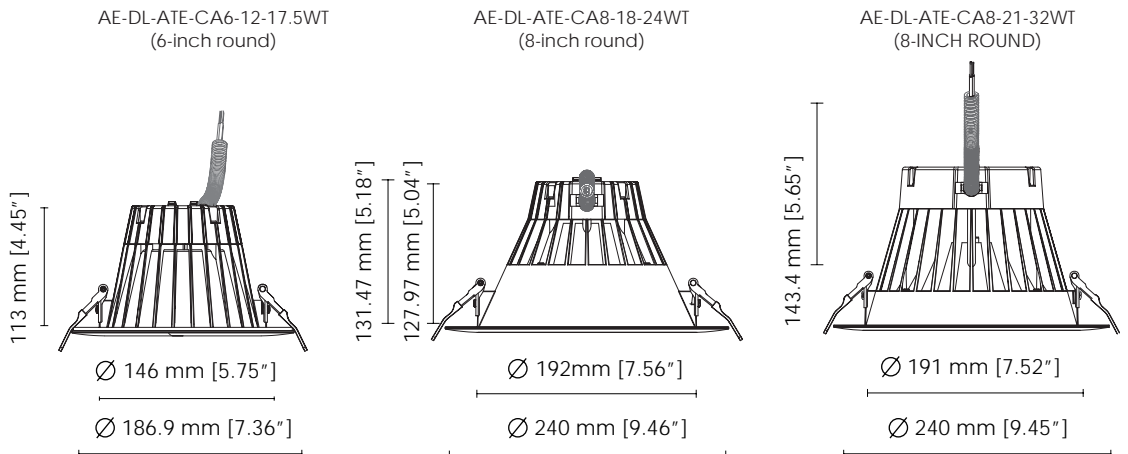
ORDERING GUIDE

Ordering code example: AE-DL-ATE-CA6-12-17.5WT-010-P30/35/40/50

FIXTURE FAMILY	VOLTAGE	SHAPE & SIZE	POWER	CONTROL	CCT
AE-DL-ATE-ERALUX Artista 347 EVOLVE recessed downlight	CA 120-347Vac 50/60Hz	6- 6" Round housing	12-17.5WT- 12/17.5W: 1000/1500lm Selectable Replaces 32W CFL	010- 0-10V External dimming down to 10%	P30/35/40/50 3000K/3500K/ 4000K/5000K Selectable CCT
		8- 8" Round housing	18-24WT- 18/24W: 1500/2000lm Selectable Replaces 52W CFL		

ARTISTA 347 EVOLVE

DIMENSIONS





The classic downlight choice, the DOUBLE RING is available with even number diameters of 10", 12", 14" or 16". The fixture has CCT 3 options: 3000K, 3500K, or 4000K. The DOUBLE RING comes in: 12W for the 10" housing, 16W for the 12" housing, 20W for the 14" housing, or 25W for the 16" housing. The RING and DOUBLE RING downlight fixtures are equipped with triac dimming.

OPERATIONS & ELECTRICAL

Input Voltage : 120Vac
 Dimming : Triac dimming
 Lumens per Watt : 75 LPW at 80CRI
 Beam angle : 110°
 Protection : IP20

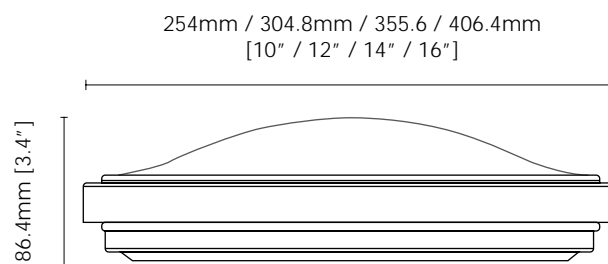
ORDERING GUIDE

Ordering code example: AE-DL-DR-A10-12-830-01-A1D

DOUBLE RING

FIXTURE FAMILY	SHAPE & SIZE	POWER	CRI & CCT	GENERATION	CONTROLS
AE-DL-DR ERALUX Double Ring Series surface mounted downlight	-A10 10" round & 3.4" in height	-12 12 watts: 900 lumens	-830 80 CRI 3000K CCT	-01 1st generation surface mounted Double Ring commercial downlight Energy Star certified for superior efficacy standards	-A1D Triac Dimming
	-A12 12" round & 3.4" in height	-16 16 watts: 1200 lumens	-835 80 CRI 3500K CCT		
	-A14 14" round & 3.4" in height	-20 20 watts: 1500 lumens	-840 80 CRI 4000K CCT		
	-A16 16" round & 3.4" in height	-25 25 watts: 1875 lumens			

DIMENSIONS





The compact recessed downlight, INFINITA EVOLVE 4" is the smallest diameter downlight of its type offered. The fixture comes in 8W, 10W, or 11W. Unlike the other 4" options available at ERALUX, the INFINITA EVOLVE 4" has the option of either the smooth white cone reflector, or a semi diffused smooth cone reflector. INFINITA EVOLVE 4" is CCT selectable with 4 options: 3000K, 3500K, 4000K, or 5000K. The fixture's controls include dimming down to 10%.

OPERATIONS & ELECTRICAL

Input Voltage : 120-277Vac

Dimming : 0-10V external dimming down to 10%

Lumens per Watt : ~63-88 LPW at 90CRI

Beam angle: 90°

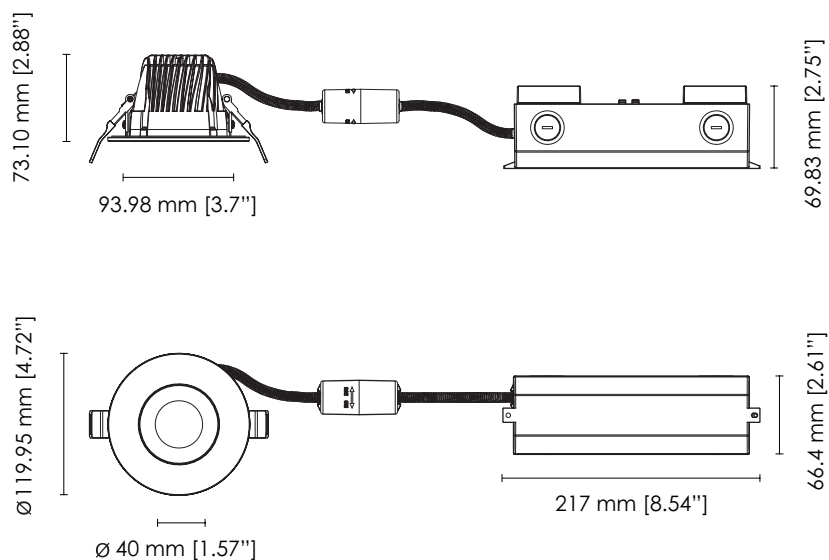
ORDERING GUIDE

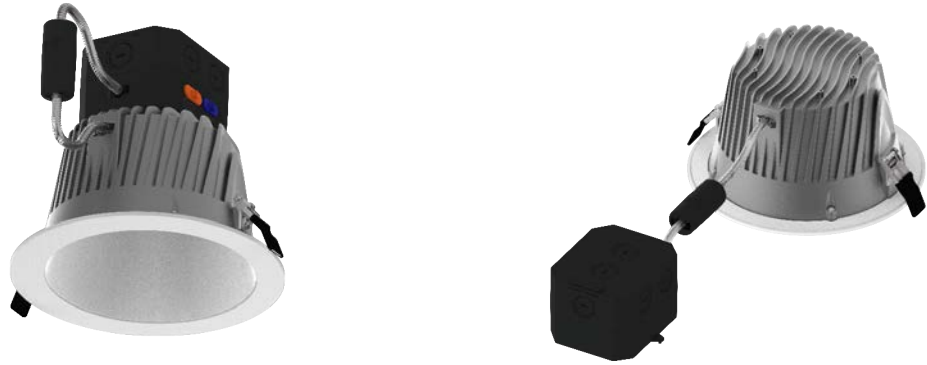
Ordering code example: AE-DL-IF-04-11W-010-P3050-WH

INFINITA EVOLVE 4"

FIXTURE FAMILY	SHAPE & SIZE	POWER	CONTROLS	CRI & CCT	REFLECTOR FINISH
AE-DL-IF-ERALUX Infinita EVOLVE recessed downlight	04-4" Round housing	11W-8/10/11 watt: 650/750/850 lumen – White reflector	010-0-10V external dimming down to 10%	P3050 90 CRI 3000K, 3500K, 4000K, 5000K	-WH White smooth cone reflector with white flange
		500/600/700 lumen – Matt reflector			-SD Semi Diffused smooth cone reflector with white flange

DIMENSIONS





The brightest option, the INFINITA EVOLVE 8" is powered at 34W, 46W, or 59W. INFINITA EVOLVE 8" is CCT selectable with 4 options: 3000K, 3500K, 4000K, or 5000K. There is a white smooth cone reflector finish for the fixture. The fixture's controls include dimming down to 10%. Avail able in standard 120-277Vac input voltage range. INFINITA EVOLVE provides customization on site and redefine ceiling commercial spaces.

OPERATIONS & ELECTRICAL

Input Voltage : 120-277Vac
 Dimming : 0-10V external dimming down to 10%
 Lumens per Watt : ~84 LPW at 90CRI
 Beam angle: 90°

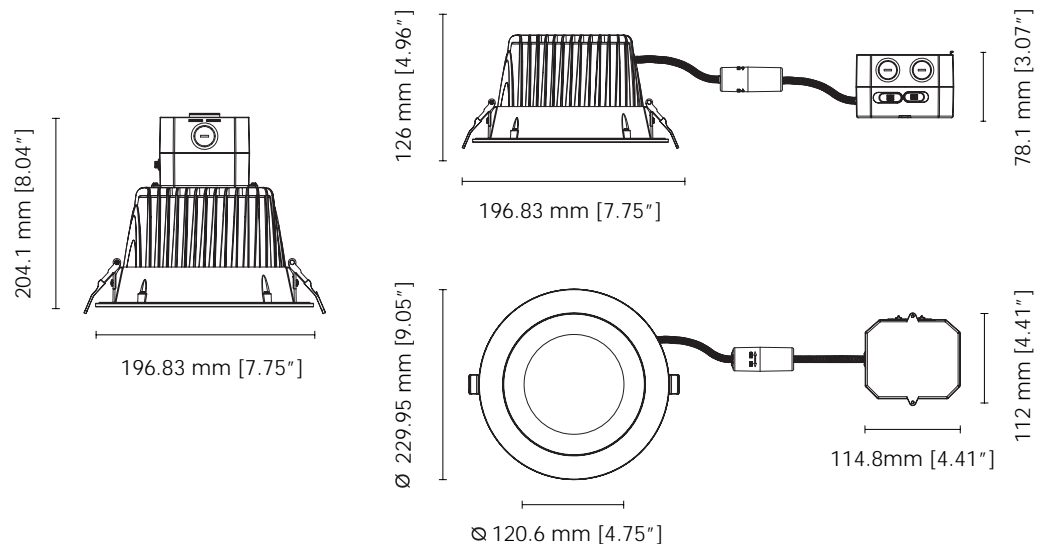
ORDERING GUIDE

Ordering code example: AE-DL-IF-08-59W-010-P3050-WH

INFINITA EVOLVE 8"

FIXTURE FAMILY	SHAPE & SIZE	POWER	CONTROLS	CRI & CCT	REFLECTOR FINISH
AE-DL-IF-ERALUX Infinita EVOLVE recessed downlight	08- 8" Round housing	59W- 34/46/59 watt: 3000/4000/5000 lumen – White reflector	010- 0-10V external dimming down to 10%	P3050 90 CRI 3000K, 3500K, 4000K, 5000K	-WH White smooth cone reflector with white flange

DIMENSIONS





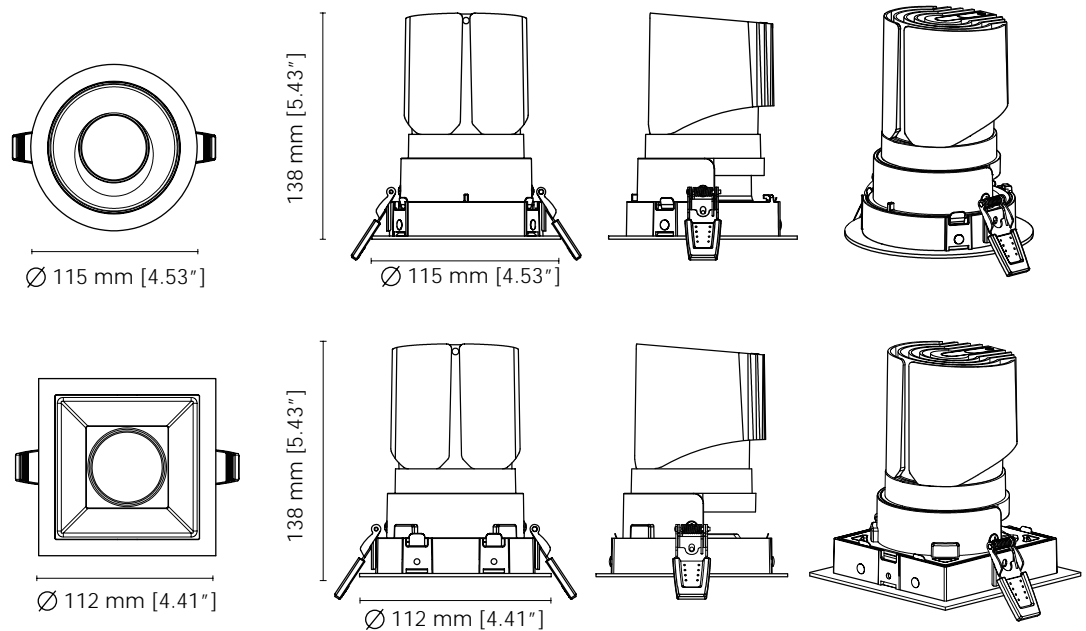
The downlight that offers a variety of beam angles and shape ranges, KINETA is available as a round or square adjustable shape, and or a fixed round shape. KINETA is CCT selectable with 3 options: 3000K, 3500K, or 4000K. With a 4" diameter, the fixture powers marks at 25W. Available in standard UV, 120-277Vac, input voltage range. The fixture's controls include dimming down to 10%.

OPERATIONS & ELECTRICAL

Input Voltage : 120-277Vac
 Dimming : 0-10V external dimming & Triac Dual dimming
 Lumens per Watt : 98 LPW at 90CRI
 Beam angle: 15, 24, 38, 55°

DIMENSIONS

KINETA



ORDERING GUIDE

Ordering code example: AE-DL-KN-4-RA1BK-UV-25W-X-30-15

FIXTURE FAMILY	DIMENSION	SHAPE & SIZE	REFLECTORS	INPUT VOLTAGE	POWER	CONTROLS	CCT	BEAM ANGLE
AE-DL-KN ERALUX KINETA Series recessed downlight	-4 4 inches	-RA1 Round Adjustable	BK Black	-UV 120-277Vac	-25W 25 watts; 2450 lumens	-X 0-10V external dimming & Triac Dual dimming	-30 3000K CCT	-15 15° Beam angle
		-SA1 Square Adjustable	SP Specular bright silver				-35 3500K CCT	-24 24° Beam angle
		-RF1 Round Fixed	DF Diffused matt silver				-40 4000K CCT	-38 38° Beam angle
								-55 55° Beam angle



The classic downlight choice, the RING SERIES is available with odd number diameters of 11", 13", or 15". The fixture has CCT 4 options: 3000K, 3500K, or 4000K. The RING comes in: 16W for the 11" housing, 20W for the 13" housing, or 25W for the 15" housing. The RING and DOUBLE RING downlight fixtures are equipped with triac dimming. The classic fixture is a great addition to any elegant projects.

OPERATIONS & ELECTRICAL

Input Voltage : 120Vac
 Dimming : Triac dimming
 Lumens per Watt : 75 LPW at 80CRI
 Beam angle: 110°

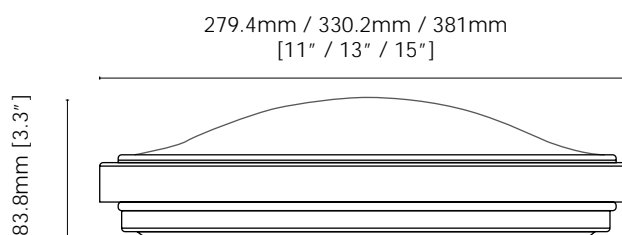
ORDERING GUIDE

Ordering code example: AE-DL-RG-A11-16-830-01-A1D

RING

FIXTURE FAMILY	SHAPE & SIZE	POWER	CRI & CCT	GENERATION	CONTROLS
AE-DL-RG ERALUX Ring Series surface mounted downlight	-A11 11" round & 3.3" in height	-16 16 watts: 1200 lumens	-830 80 CRI 3000K CCT	-01 1st generation surface mounted Ring commercial downlight Energy Star certified for superior efficacy standards	-A1D Triac Dimming
	-A13 13" round & 3.3" in height	-20 20 watts: 1500 lumens	-835 80 CRI 3500K CCT		
	-A15 15" round & 3.3" in height	-25 25 watts: 1875 lumens	-840 80 CRI 4000K CCT		

DIMENSIONS





The simple choice, SLIMA is available as a 4" smooth, round recessed downlight. Named after the slim design, SLIMA runs at 9W and 7000 lumens. The fixture has CCT 5 options: 2700K, 3000K, 3500K, 4000K or 5000K. SLIMA is equipped with triac dimming. Available in standard 120-277Vac input voltage range. Designed for an evenly illuminated surface the lens is unlike other of its shape.

OPERATIONS & ELECTRICAL

Input Voltage : 120-277Vac

Dimming : 0-10V external dimming down to 10%

Lumens per Watt : 75 LPW

Distribution : Lambertain

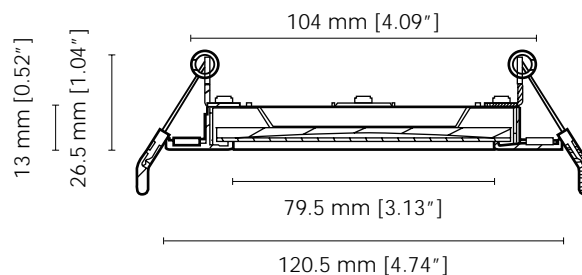
ORDERING GUIDE

Ordering code example: AE-DL-SL-04-09W-TRIAC-P2750

SLIMA

FIXTURE FAMILY	SHAPE & SIZE	POWER	CONTROLS	CCT
AE-DL-SL- ERALUX SLIMA 4- Series recessed 4" Round housing downlight		09W- 9W: 700 lumens Replaces 32W CFL	TRIAC- Triac dimming	P27/30/35/40/50

DIMENSIONS





The 120 Degrees Rotation fixture, the VERSA is known for its option to rotate its eye 120 Degrees to allow for versatility. Available in a 4" round housing, the VERSA is powered at 9.5W, and 700 lumens. The fixture has CCT 5 options: 2700K, 3000K, 3500K, 4000K or 5000K. VERSA is equipped with triac dimming. Available in standard 120Vac input voltage range.

OPERATIONS & ELECTRICAL

Input Voltage : 120Vac
 Dimming : Triac dimming 10%-100%
 Lumens per Watt : ~70 LPW
 Beam angle: ~120 Degrees

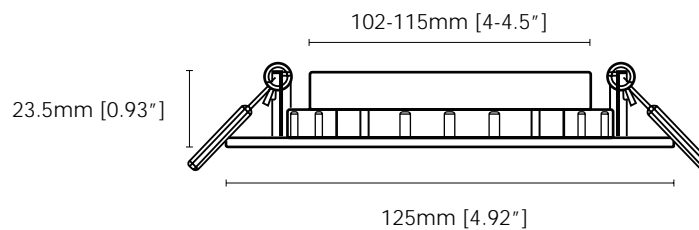
ORDERING GUIDE

Ordering code example: AE-DL-VS-04-09W-TRIAC-P2750

VERSA

FIXTURE FAMILY	SHAPE & SIZE	POWER	CONTROLS	CCT
AE-DL-VS- ERALUX VERSA 4- Series recessed 4" downlight	Round housing	09W- 9.5W: 700 lumens Replaces 32W CFL	TRIAC- Triac dimming	P27/30/35/40/50

DIMENSIONS



GIMBALS THAT FIT EVERY SETTING.

The classic essential that perfectly fits into every budget point.

Ideal for indoor settings, such as in retail stores, office areas, receptions, corridors, and residential spaces such as kitchen and dining rooms and living spaces. ERALUX's gimbals is available with a range of mounting types, adapters, and finishes. This selection makes sure that ERALUX provides the perfect gimbal for every setting no matter the requirements. Furthermore, the use of these modern LED lights contributes to a cleaner environment with higher energy savings.



00P00



FIXTURE FAMILY	Mounting type	ADAPTER	FINISH	DIMENSION
AEH- ERALUX Line voltage track light	00P00 Universal Lamp holder	J1	BK WH	
		H1		
		G1		
		L1		

OLP00



FIXTURE FAMILY	Mounting type	ADAPTER	FINISH	DIMENSION
AEH- ERALUX Line voltage track light	OLP00 Lexan lamp holder Par 16,20,30,38	J1	BK WH	
		G1		
		L1		

CLP30



FIXTURE FAMILY	Mounting type	ADAPTER	FINISH	DIMENSION
AEH- ERALUX Line voltage track light	CLP30 Par30 lamp holder	J1	BK WH	
		H1		
		G1		
		L1		

FCP30



FIXTURE FAMILY	Mounting type	ADAPTER	FINISH	DIMENSION
AEH- ERALUX Line voltage track light	FCP20 Flat cylinder	J1	BK WH	
		H1		
		G1		
		L1		

Remark

- 1.120 VAC only
2. G1: Global mounting system
3. H1: Halo mounting system

4. J1: Juno mounting system
5. L1: Lightolier mounting system
6. BK: Black paint finish
7. WH: White paint finish
8. SV: Silver paint finish

FCP20



FIXTURE FAMILY	Mounting type	ADAPTER	FINISH	DIMENSION
AEH- ERALUX Line voltage track light	FCP20 Flat cylinder R20 PAR20	J1		
		H1	BK	
		G1	WH	
		L1		

GBP38



FIXTURE FAMILY	Mounting type	Lamp type	ADAPTER	FINISH	DIMENSION
AEH- ERALUX Line voltage track light	GBP	38 PAR38 250W	J1	BK	
			G1	WH	
			L1	SV	

GFP30



FIXTURE FAMILY	Mounting type	Lamp type	ADAPTER	FINISH	DIMENSION
AEH- ERALUX Line voltage track light	GFP	30 PAR30 75W	J1	BK	
			G1	WH	
			L1	SV	

GFP38



FIXTURE FAMILY	Mounting type	Lamp type	ADAPTER	FINISH	DIMENSION
AEH- ERALUX Line voltage track light	GFP38	38 PAR38 250W	J1	BK	
			G1	WH	
			L1	SV	

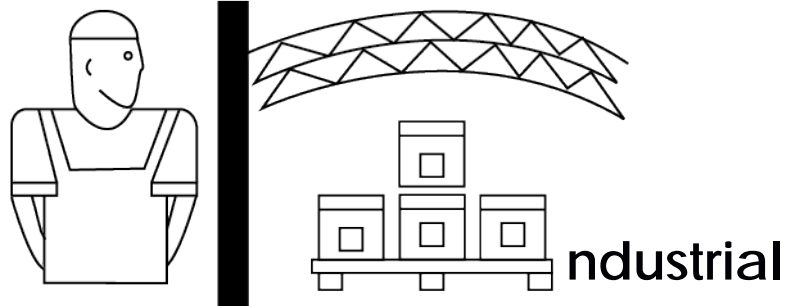
Remark

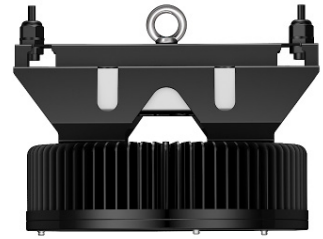
1. 120 Vac only
2. G1: Global mounting system
3. H1: Halo mounting system
4. J1: Juno mounting system
5. L1: Lightolier mounting system
6. BK: Black paint finish
7. WH: White paint finish
8. SV: Silver paint finish

BRIGHT OPTIONS TO LIGHTEN EVERY INDUSTRIAL SETTING.

Durable lighting that offers a variety of brightness and mounting options in the industrial setting.

Bright, clear, and comforting luminous LED light fixtures designed for industrial settings with high ceilings. ERALUX's industrial category offers a wide range of fixtures made for tough conditions such as factories, warehouses, and commercial garages. Providing a complete selection of power, sizes, CCT and controls, ERALUX's industrial LED lights are sure to enhance your space. The leading LED technologies minimize long-term energy costs.





The high wattage round industrial fixture, LUMINA is our high round bay, available in 3 wattage options: 150W, 320W, and 480W, with 24,000 lumens, 49,600 lumens, and 76,800 lumens respectively. LUMINA is CCT selectable with 4 options: 3000K, 3500K, 4000K, or 5000K. Available in the standard UV, 120-277Vac, as well as HV, 200-480Vac, input voltage ranges. The fixture's controls include dimming down to 10%.

OPERATIONS & ELECTRICAL

Input Voltage : 100-277V, 277-480V

Dimming : 0 -10V external dimming down to 10%

Lumens per Watt : ~155-160 LPW at 80CRI

Beam angle: 120°

ORDERING GUIDE

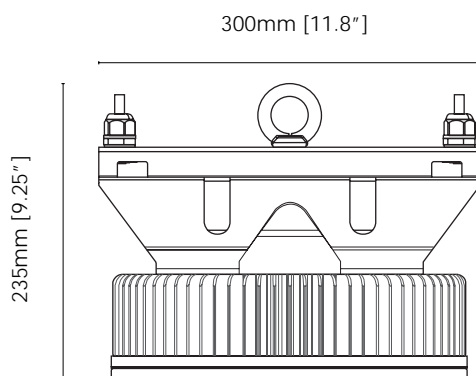
Ordering code example: AE-IL-LM320W-840-UV-G(120)-D

FIXTURE FAMILY	POWER*	CRI	CCT	VOLTAGE	BEAM ANGLE*	DIMMING
AE-IL-LM ERALUX Lumina industrial fixtures round high bay	320W- 320 Watts: 49,600 lumens	8 Normal 80 CRI	30- 3000K CCT	UV- 100-277Vac input voltage range	G(120)- 120° beam angle	D 0-10V external dimming down to 10%
	35- 3500K CCT		HV- 200-480Vac input voltage range			
	40- 4000K CCT			50- 5000K CCT		
	480W- 480 Watts: 76,800 lumens					

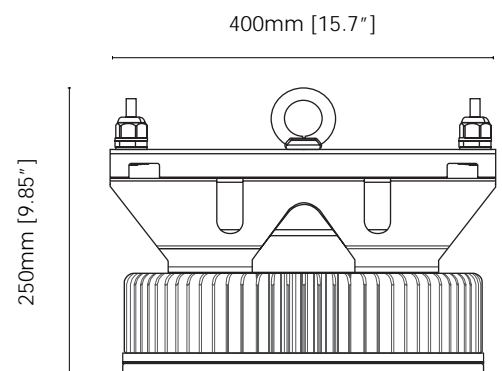
* 320W & 480W (Both UV and HV) are only available in 120° glass lens beam angles.

LUMINA

DIMENSIONS



AE-IL-LM320W-RXX-UV



AE-IL-DM480W-RXX-UV



Extensive variety in brightness and mounting, SABER is our high round bay, available in 5 wattage options: 100W, 150W, 200W, 240W, and 255W. SABER is CCT selectable with 4 options: 3500K, 4000K, and 5000K. Available in the standard UV, 120-277Vac, as well as HV, 200-480Vac, input voltage ranges. The fixture's controls include dimming down to 10% or a microwave motion sensor.

OPERATIONS & ELECTRICAL

Input Voltage : 120-277V, 200-480V
 Dimming : 0-10V external dimming down to 10%
 Lumens per Watt : 135 LPW at 80CRI
 Beam angle: 120°

ORDERING GUIDE

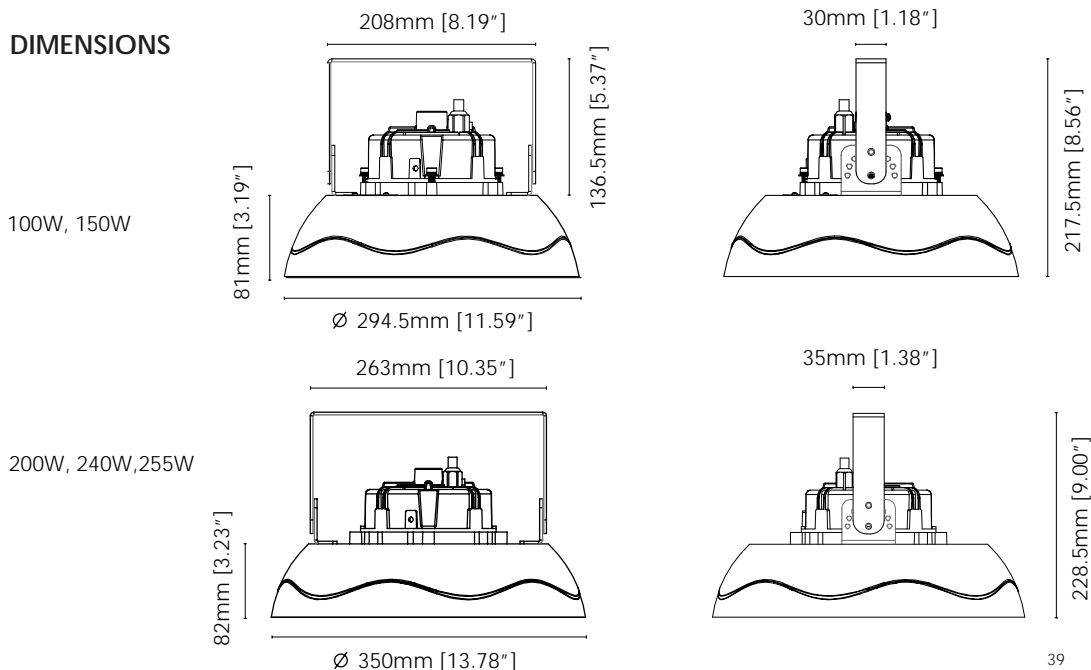
Ordering code example: AE-IL-SB-100W-UV-D-40-HK-BK

SABER SERIES

FIXTURE FAMILY	POWER	VOLTAGE	CONTROLS	CCT	MOUNTING	FINISH	
AE-IL-SB ERALUX Saber Series industrial fixtures round high bay	-100W 100 Watts: 13,500 lumens	-UV 120-277Vac input voltage range	-D 0-10V external dimming down to 10%	-35 3500K CCT	-HK Hook mount for suspension	-BK Black powder coat finish	
	-150W 150 Watts: 20,250 lumens				-PM ¾" NPT pole mount adapter for pendant mount	-WH White powder coat finish	
	-200W 200 Watts: 27,000 lumens	-HV 277-480Vac input voltage	-M Microwave Motion Sensor	-40 4000K CCT	-50 5000K CCT	-UB U-bracket mount	-CS Custom finish*
	-240W 240 Watts: 32,400 lumens						
	-255W 255 Watts: 34,420 lumens						

* Inquire about custom finish and product lead times.

DIMENSIONS





A great standard rectangular high bay, the TITAN BASIC is available at 2 different length, 2 ft, or 4 ft. For the 2 ft option, 2 brightness options are available, 160W and 220W. At the 4ft length, three wattages are offered: 220W, 320W, and 400W. Available in the standard CA, 120-347Vac, input voltage range. The fixture's controls include dimming down to 10%.

OPERATIONS & ELECTRICAL

Input Voltage : 120-347Vac

Dimming : 0-10V external dimming down to 10%

Lumens per Watt : 135 LPW at 80CRI

Beam angle: 120°

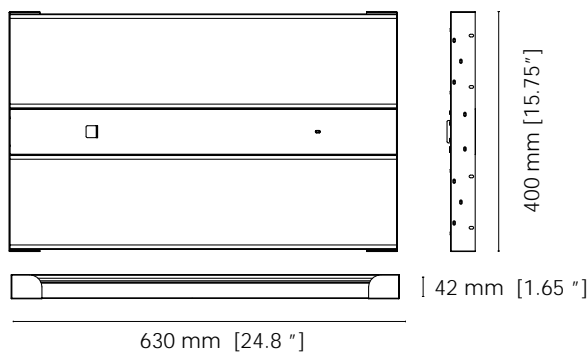
ORDERING GUIDE

Ordering code example: AE-IL-TTCA2FT160W-D-40K

FIXTURE FAMILY	VOLTAGE	SIZE	POWER	CONTROLS	CCT
AE-IL-TT ERALUX Titan BASIC industrial fixtures rectangular high bay	CA 120-347Vac input voltage range	2FT 2 feet length	160W 160 watts: 21,600 lumens	-D 0-10V external dimming down to 10%	-40K 4000K CCT -50K 5000K CCT
			220W 220 watts: 29,700 lumens		
		4FT 4 feet length	220W 220 watts: 29,700 lumens		
			320W 320 watts: 43,200 lumens		
			400W 400 watts: 54,000 lumens		

TITAN BASIC

DIMENSIONS



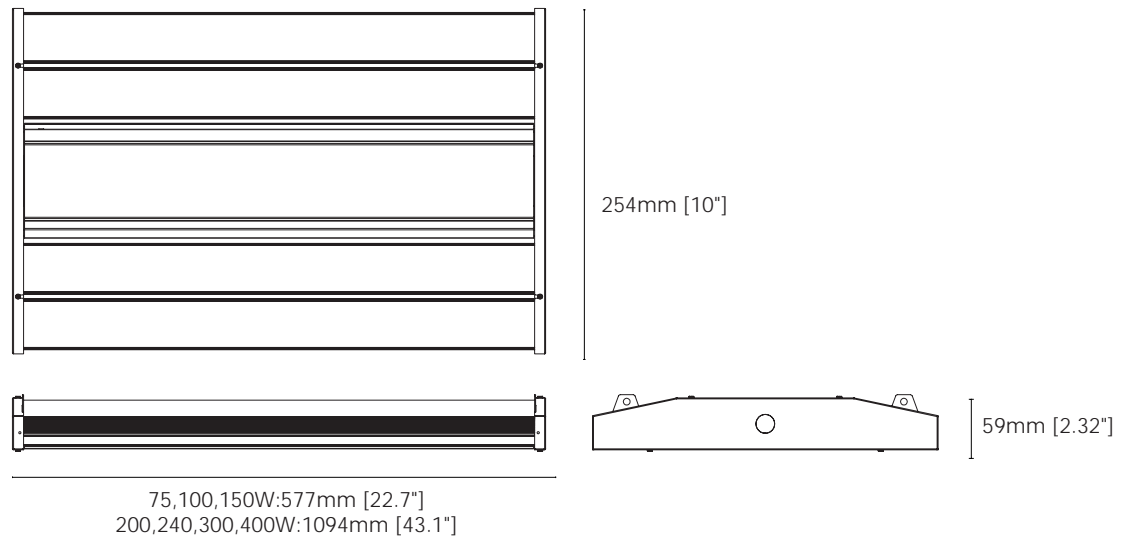


Brightness flexibility ranging from 75W to 400W, the TRINITY is available at 7 different power inputs: 75W, 100W, 150W, 200W, 240W, 300W, and 400W. TRINITY has 2 possible CCT options: 4000K, and 5000K. Available in the standard UV, 120-277Vac, as well as HV, 200-480Vac, input voltage ranges. The fixture's controls include dimming down to 10%, a microwave motion sensor, or external dimming down to 10%.

OPERATIONS & ELECTRICAL

Input Voltage : 120-277V, 347-480V
 Dimming : 0-10V external dimming down to 10%
 Lumens per Watt : ~140-150 LPW at 80CRI
 Beam angle: 120° beam angle

DIMENSIONS



TRINITY

ORDERING GUIDE

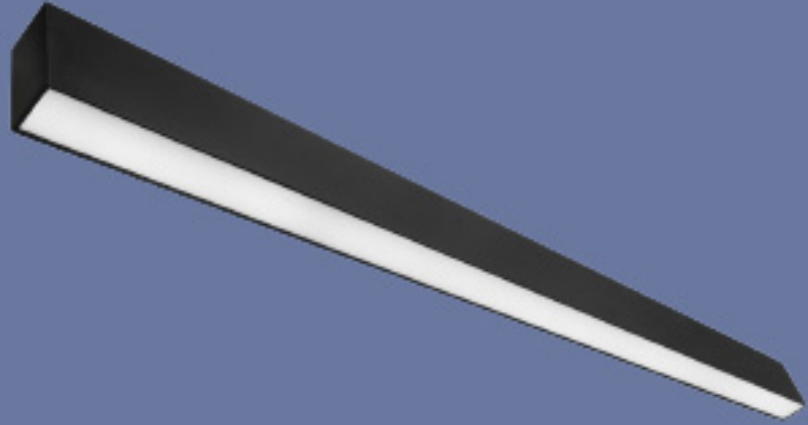
Ordering code example: AE-IL-TR75W-40-UV-220-120-0-10SS

FIXTURE FAMILY	POWER	CCT	VOLTAGE	LED CODE	BEAM ANGLE	CONTROL	DRIVER
AE-IL-TR ERALUX industrial fixtures Trinity rectangular high bay	75W- 75 Watts: 11,250 lumens	40- 4000K CCT	UV- 120- 277Vac	220-	120- 120° beam angle	0-10 0-10 external dimming down to 10%	SS
	100W- 100 Watts: 15,000 lumens			280-			
	150W- 150 Watts: 22,500 lumens	50- 5000K CCT	HV- 347- 480Vac	440-		MS- Microwave Sensor PIR Sensor 120-277Vac	
	200W- 200 Watts: 30,000 lumens			560-			
	240W- 240 Watts: 36,000 lumens	300W- 300 Watts: 45,000 lumens	400W- 400 Watts: 60,000 lumens	680-		EM- Emergency battery backup	
	300W- 300 Watts: 45,000 lumens			880-			
	400W- 400 Watts: 60,000 lumens			1120-			

LIMITLESS POTENTIAL FOR CREATING MODERN AND EFFORTLESS LIGHTING

Elegance, simplicity, and durability that upgrades your next project with limitless combinations.

Linear fixtures are the sleek solution for a modern setting. Blending beautifully, or configured to make a statement, the linear have endless possibilities. ERALUX's linear fixtures, vary in length, mounting options, colours, and so much more. Connected to make a continuous run seamlessly, allowing one to alter how they chose to bring light into a space. ERALUX offers linear fixtures that provides up and down lighting or solely down lighting. A great fit into different ceiling types, available in different shapes, the linears are limitless.





The economically sensible linear option, the ECO STRIP is available in 3 lengths: 2', 4', and 8'. The fixture is available in the standard UV 120-277Vac, input voltage range. The ECO STRIP comes in: 20W for the 2' length, 32W for the 4' length, and 65W or 90w for the 8' length. The fixture has CCT 3 options:3000K, 4000K, or 5000K. Possible additions for the fixture's controls include dimming, motion sensor(MS), emergency battery backup (EMBB) and the combination of MS with EMBB.

OPERATIONS & ELECTRICAL

Input Voltage : 120-277V

Dimming : 0-10V external dimming down to 10%

Lumens per Watt : ~130 LPW at 80CRI

Distribution : Lambertain

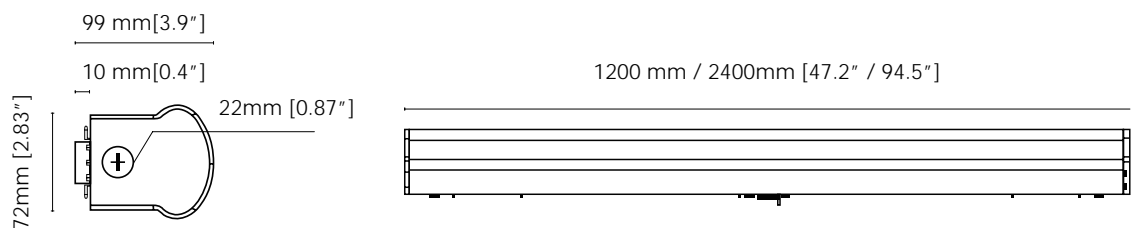
ORDERING GUIDE

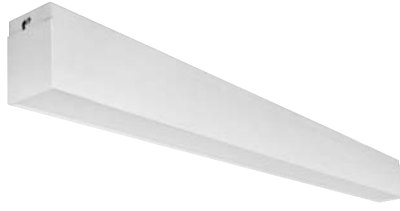
Ordering code example: AE-SF-ER-ECOUV432N30-010WH

ECO STRIP

FIXTURE FAMILY	VOLTAGE	LENGTH	POWER	CRI	CCT	CONTROLS	FINISH
AE-SF-ER-ECO ERALUX Eco Strip linear fixture	UV 120- 277Vac	2 2 feet fixture length	20 20 watts: 2400 lumens	N Normal 80 CRI	30 3000K CCT	-010 0-10V external dimming down to 10%	WH White painted finish
		4 4 feet fixture length	32 32 watts: 4100 lumens		40 4000K CCT	-MS Motion Sensor	
		8 8 feet fixture length	65 65 watts: 8250 lumens		50 5000K CCT	-EM 8W Emergency back up	
			90 90 watts: 11000 lumens			-MSEM Motion sensor + 8W Emergency back up	

DIMENSIONS





The staple ERALUX linear, G5 is available in 4 lengths: 2', 4', 6', and 8'. The fixture is available in the standard CA, 120-347Vac, input voltage range. The G5 comes in: 20W for the 2' length, 40W for the 4' length, 50W for the 6' length, and 70W for the 8' length. The G5 is CCT selectable with 2 switchable combinations of colour temperature. The fixture's controls include dimming down to-off capabilities.

OPERATIONS & ELECTRICAL

Input Voltage : 120-347Vac

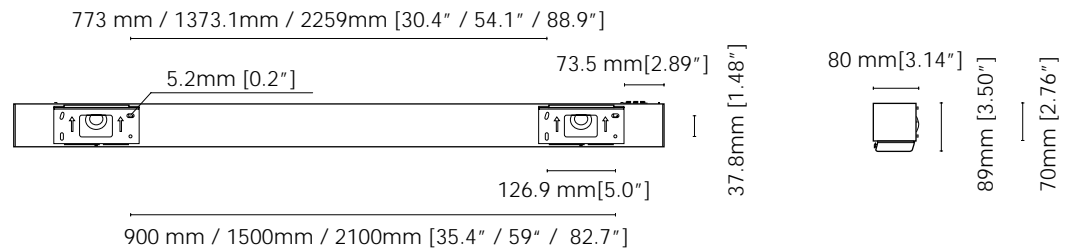
Dimming :0 -10V external dimming down to 10%

Lumens per Watt : 120 LPW (6&8FT) 105LPW (4FT) at 80CRI

Distribution : Lambertian

DIMENSIONS

G5



ORDERING GUIDE

Ordering code example: AE-SF-G5CA44030/40/50010WH-GB

FIXTURE FAMILY	VOLTAGE	LENGTH	POWER	CCT	CONTROLS	FINISH	DIMMING
AE-SF-G5 ERALUX G5 linear architectural fixture	CA 120- 347Vac input voltage	2 2 feet length	20 20 watts: 2100 lumens		010 0-10V external dimming down to 10%	WH-GB ERALUX Nebula White	[LEAVE BLANK] None
		4 4 feet length	40 40 watts: 4200 lumens	30/35/40 3000/3500/4000K selectable CCT		BK-GB ERALUX Atomic Black	-LDE1 Lutron Hi-lume 1% EcoSystem driver with Soft-on, Fade- to-Black dimming technology down to 1%
		6 6 feet length	50 50 watts: 6000 lumens	30/40/50 3000/4000/5000K selectable CCT		SV-GB Silver 9006	
		8 8 feet length	70 70 watts: 8400 lumens				



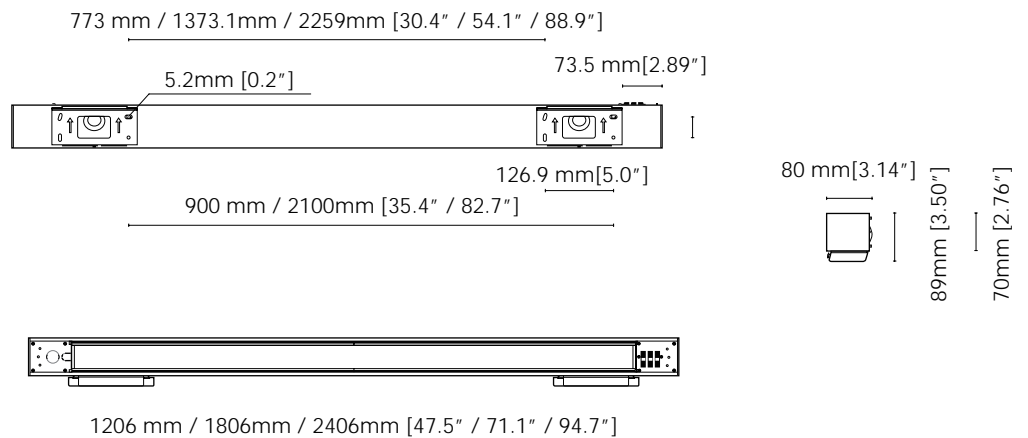
The most beloved ERALUX fixture now surface mounted. G5 WALL MOUNT is available in 3 lengths: 4', 6', 8'. The fixture is available with a 120-347Vac input voltage range. The G5 WALL MOUNT comes in 40W for the 4' length, 50W for the 6' length, and 70W for the 8' length. The G5 WALL MOUNT is CCT selectable to allow for various of colour temperature choices. The fixture's controls include dimming down to-off capabilities.

OPERATIONS & ELECTRICAL

Input Voltage : 120-347Vac
 Dimming : 0-10V external dimming down to 10%
 Lumens per Watt : 125 LPW at 80CRI
 Distribution : Lambertian

DIMENSIONS

G5 Wall MOUNT



ORDERING GUIDE

Ordering code example: AE-SF-G5CA440N30/35/40010-WMT-WH-GB

FIXTURE FAMILY	VOLTAGE	LENGTH	POWER	CRI	CCT	CONTROLS	MOUNTING	FINISH	GEN
AE-SF-G5 ERALUX G5 linear architectural fixture	-CA 120- 347Vac input voltage	4	40		30/35/40			WH ERALUX Nebula White	-GB Generation 2
		4 feet length	40 watts 4000 lumens		3000/3500 4000K selectable CCT				
		6	50	N	30/40/50	-010 0-10V external dimming down to 10%	-WMT Wall mounted		
6 feet length	50 watts 5000 lumens	Normal 80 CRI	3000/4000 5000K selectable CCT						
		8	80					SV Silver -9006	
		8 feet length	80 watts 8000 lumens						



The slim evolution of linear fixtures, the G6 is available in 4 lengths: 2', 4', 6', and 8'. The fixture is available in the standard CA, 120-347Vac, input voltage range. The G6 comes in: 20W for the 2' length, 40W for the 4' length, 50W for the 6' length, and 70W for the 8' length. The fixture has CCT 4 options: 3000K, 3500K, 4000K, or 5000K. The fixture's controls include dimming down to-off capabilities.

OPERATIONS & ELECTRICAL

Input Voltage : 120-347Vac

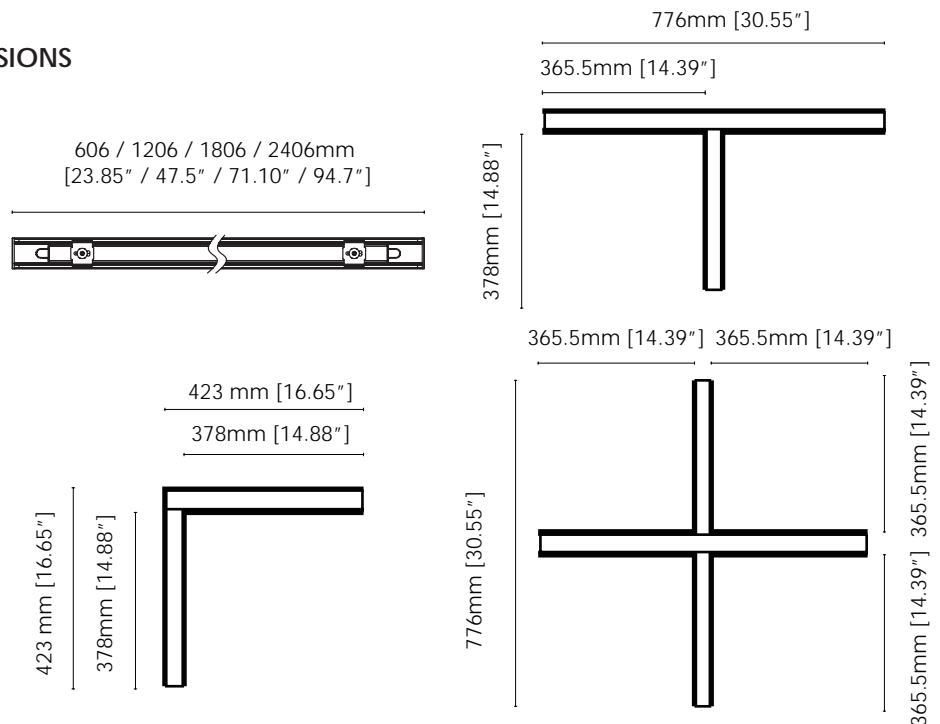
Dimming : 0-10V external dimming down to 10%

Lumens per Watt : 87(Black)-91(White) LPW at 90CRI

Distribution : Lambertian

DIMENSIONS

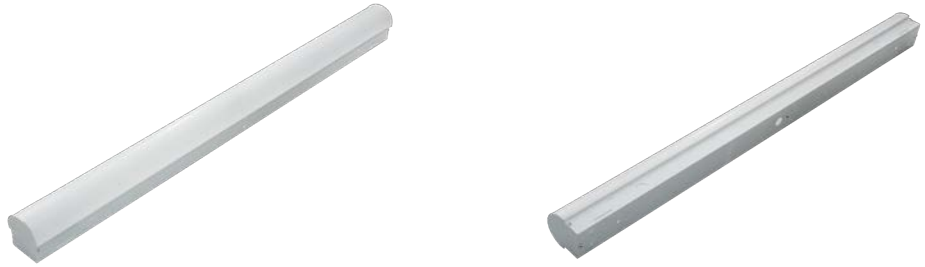
G6



ORDERING GUIDE

Ordering code example: AE-SF-G6-A-CA-220-B-P30-010-PL-WH

FIXTURE FAMILY	GEN	VOLTAGE	SIZE	POWER	ACCENT	CRI	CCT	DIMMING	LENS	FINISH	
AE-SF-G6 ERALUX G6 linear architectural fixture	-A First GEN	-CA 120- 347Vac input voltage	2	20							
			2 feet length	20 watts 1780 lumens							
			4	40							
			4 feet length	20/30/40 watts 1780/2670/3560 lumens							
			6	50							
			6 feet length	30/40/50 watts 2670/3560/4450 lumens							
			8	70							
			8 feet length	40/70 watts 3560/6230 lumens							



Brightness options at every length, JOBBER is available in 2 lengths: 4', and 6'. The fixture is available in the standard CA, 120-347Vac, input voltage range. The JOBBER is power switchable, at 4' and 8' there are 3 wattage, and lumen combinations to allow maximum control for brightness. The fixture is CCT switchable between 3500K, 4000K, and 5000K.

OPERATIONS & ELECTRICAL

Input Voltage : 120-347Vac
 Dimming : 0-10V external dimming down to 10%
 Lumens per Watt : 125 LPW at 80CRI
 Distribution : Lambertian

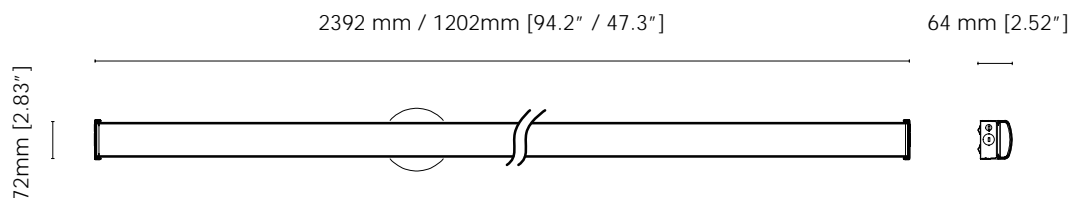
ORDERING GUIDE

Ordering code example: AE-SF-JBCA-0445/38/34-835-50

JOBBER STRIP

FIXTURE FAMILY	INPUT VOLTAGE	LENGTH	POWER	CCT
AE-SF-JB ERALUX Jobber linear strip fixture	CA- 120-347Vac	04 4FT length 47.3''	45/38/34 45 watts: ~5895 lumens 38 watts: ~4,978 lumens 34 watts: ~4,454 lumens	-835-50 80 CRI CCT Switchable: 3500K/4000K/5000K
		08 8FT length 94.2''	90/75/65 90 watts: ~11,790 lumens 75 watts: ~9,825 lumens 65 watts: ~8,515 lumens	

DIMENSIONS





A great standard wraparound LED linear fixture, the MOONRAKER EVOLVE is only available in 4'. The fixture is available in the standard 120-347Vac input voltage range. The MOONRAKER EVOLVE is power switchable, at 4', there are 3 brightness options: 32W, 40W, or 48W. The fixture is CCT switchable between 3500K, 4000K, and 5000K.

OPERATIONS & ELECTRICAL

Input Voltage : 120-347Vac

Dimming : 0-10V external dimming down to 10%

Lumens per Watt : 108~115 LPW at 80CRI

Distribution : Lambertian

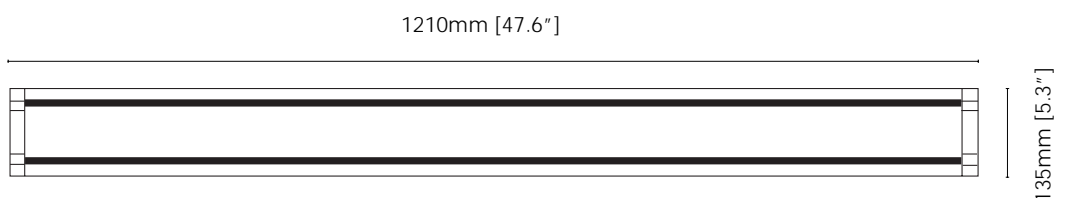
ORDERING GUIDE

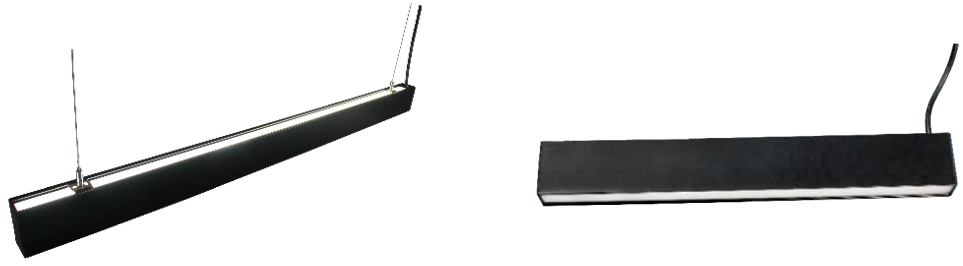
Ordering code example: AE-SF-MRE-043248N

MOONRAKER EVOLVE

FIXTURE FAMILY	LENGTH	POWER	CRI & CCT
AE-SF-MRE- Moonraker Evolve linear wraparound fixture 120-347Vac	04- 4FT length	3248 Switchable Power 48 watts: 5,520 lumens 40 watts: 4,600 lumens 32 watts: 3,680 lumens	N 80 CRI 3500K, 4000K, 5000K CCT Switchable

DIMENSIONS





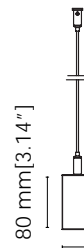
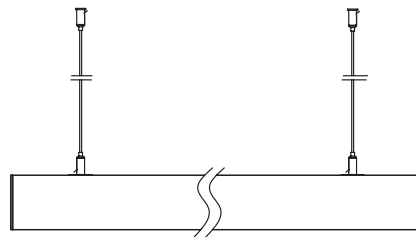
The slim up-light and downlight option, the SPS is available in 4 lengths: 2', 4', 6', and 8'. The fixture is available in the standard CA, 120-347Vac, input voltage range. The SPS comes in a variety of power inputs at all 4 lengths. The fixture has CCT 4 options: 3000K, 3500K, 4000K, or 5000K. The fixture's controls include dimming down to 10%. SPS offers 3 different up-light and downlight beam distributions.

OPERATIONS & ELECTRICAL

Input Voltage : 120-347Vac
 Dimming : 0-10V external dimming down to 10%
 Lumens per Watt : 75(Black),88(White) LPW at 90CRI
 Distribution : Lambertian

DIMENSIONS

1206 mm / 1806mm / 2406mm [47.5" / 71.1" / 94.7"]



80 mm [3.14"]
45 mm [1.77"]

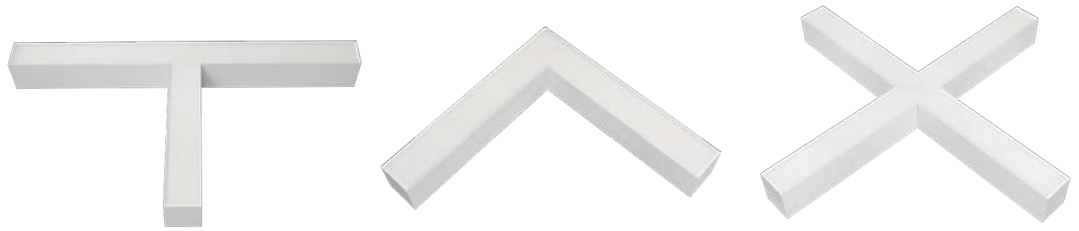
SPS

ORDERING GUIDE

Ordering code example: AE-SF-SPS-A-CA-450-B-N30-010-PL-WH

FIXTURE FAMILY	GEN	VOLTAGE	SIZE	POWER	ACCENT	CRI	CCT	DIMMING	LENS	FINISH	BEAM
AE-SF-SPS ERALUX SPS architectural fixture	-A First GEN	-CA 120- 347Vac input voltage	-2 2 feet length	30 20/30W	-B No Accent	-P 90 CRI	30 3000K CCT	-010 0-10V external dimming down to 10%	-PL Full length polycarbonate lens	-WH ERALUX Nebula White	[LEAVE BLANK] [LEAVE BLANK] 30% up light, 70% downlight
			-4 4 feet length	50 30/40/50W			35 3500K CCT			-BK ERALUX Atomic Black	-100U 100% up light, 0% downlight
			-6 6 feet length	80 50/60/80W			40 4000K CCT			-SV Silver - 9066	-60U40D 60% up light, 40% downlight
			-8 8 feet length	100 60/80/100W			50 5000K CCT				

2x 6FT suspension cables included with fixture purchase



The standard up and downlight option, the SPT fixture is available in 3 lengths: 4', 6', and 8'. The fixture is available in the standard CA, 120-347Vac, input voltage range. The SPT comes in: 50W for the 4' housing, 80W for the 6' housing, and 100W for the 8' housing. The SPT is CCT selectable with 2 switchable combinations of colour temperature. SPT's beam distribution is 70% downlight and 30%. The fixture's controls include dimming down to-off capabilities.

OPERATIONS & ELECTRICAL

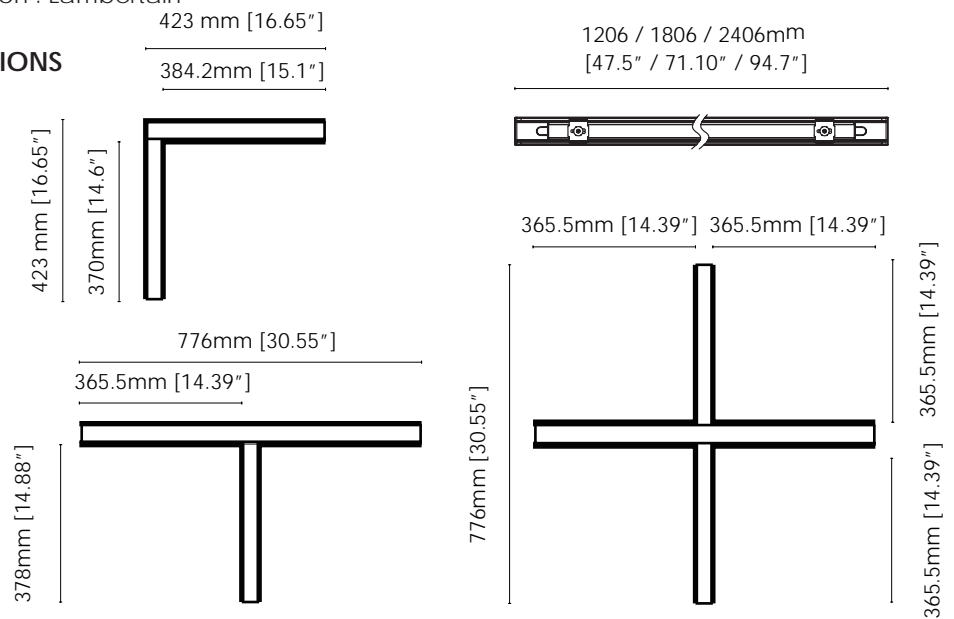
Input Voltage : 120-347Vac

Dimming : 0-10V external dimming down to 10%

Lumens per Watt : 125 LPW at 80CRI

Distribution : Lambertian

DIMENSIONS



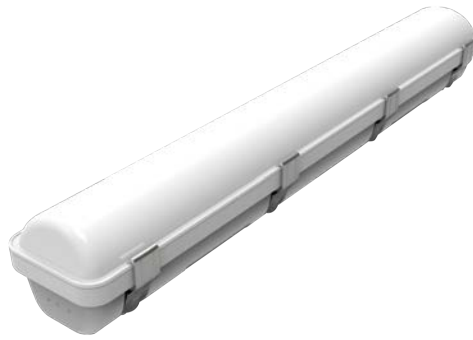
SPT

ORDERING GUIDE

Ordering code example: AE-SF-SPTCA45030/35/40010WH-GB

FIXTURE FAMILY	VOLTAGE	LENGTH	POWER	CCT	CONTROLS	FINISH	DIMMING
AE-SF-SPT ERALUX SPT Selectable linear architectural fixture	CA 120- 347Vac input voltage	4 4 feet length	50 50 watts: 5250 lumens 30% up-light, 70% downlight	30/35/40 3000/3500/4000K selectable CCT	010 0-10V external dimming down to 10%	WH-GB ERALUX Nebula White	[LEAVE BLANK] None
		6 6 feet length	80 80 watts: 8400 lumens 30% up-light, 70% downlight				-LDE1 Lutron Hi-lume 1% EcoSystem driver with Soft-on, Fade-to-Black dimming technology down to 1%
		8 8 feet length	100 100 watts: 10500 lumens 30% up-light, 70% downlight	30/40/50 3000/4000/5000K selectable CCT			BK-GB ERALUX Atomic Black

2x 6FT suspension cables included with fixture purchase
* EMBB option available in 120-277V only



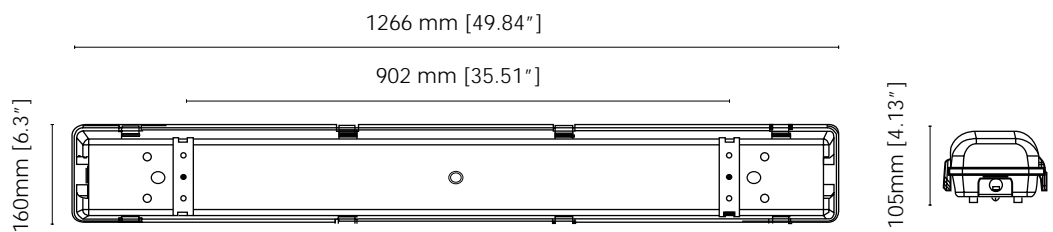
The durable linear, VADOR EVOLVE is available in 4' with a choice of 40W or 54W of power. The fixture is CCT switchable between 3500K, 4000K, and 5000K. Available in standard UV, 120-277Vac, or CA, 120-347Vac, input voltage ranges. The fixture's controls include dimming down to 10% or an emergency battery backup option. VADOR EVOLVE is certified dust and water resistant.

OPERATIONS & ELECTRICAL

Input Voltage : 120-347Vac
 Dimming : 0-10V external dimming down to 10%
 Lumens per Watt : 125 LPW at 80CRI
 Distribution : Lambertain

DIMENSIONS

VADOR SERIES



ORDERING GUIDE

Ordering code example: AE-SF-VDUV044035K-FR-D

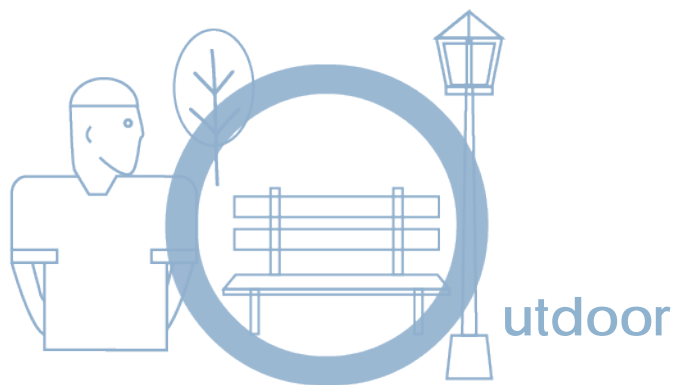
FIXTURE FAMILY	INPUT VOLTAGE	SIZE & POWER	CRI & CCT	LENS	CONTROLS
AE-SF-VDE VADOR EVOLVE Series Tri proof linear fixture	UV 120-277Vac input voltage range	0440 4FT – 40 watts: 5200 lumens	35K 80 CRI & 3500K 40K 80 CRI & 4000K	-FR Frosted polycarbonate lens	-D 0-10V external dimming (down to 10%)
	HV 120-347Vac input voltage range	0454 4FT – 54 watts: 7020 lumens	50K 80 CRI & 4000K 5000K CCT		-EMBB 8-watt emergency battery backup factory installed *only for UV model

* EMBB option available in 120-277V only

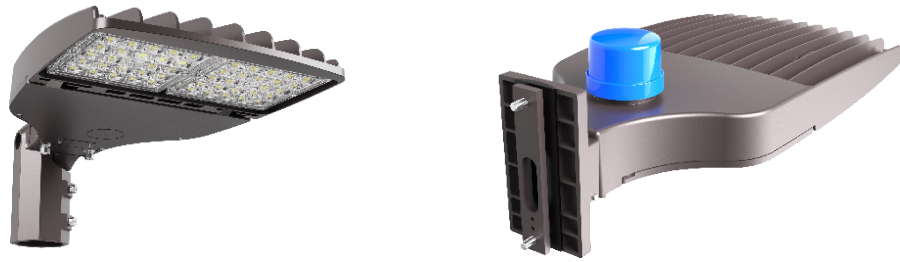
BRIGHT OPTIONS FOR EVERY ENVIRONMENT.

Durable and elegant lighting options to light up every environment.

Modernizing outdoor spaces with its sleek and contemporary finishes. Varying from squared or cylindrical wall mounted fixtures to area lights, bollards, canopies, and flood lights, ERALUX offers outdoor modern LED lighting fixtures that is suitable for your next project. Available at ERALUX in a selection of CCT's, lumens and finishes, with their robust, strong, and durable designs, these outdoor LED lights are designed to endure harsh environments.



GENESYS



Variety of light distribution patterns, the GENESYS is available in 5 different wattages: 80W, 100W, 150W, 200W, and 300W. Available in standard UV, 120-277Vac, as well as HV, 277-480Vac, input voltage ranges. The fixture is offered at 4000K, and 5000K. Possible additions for the fixture's controls include dimming, emergency battery backup (EMBB), or motion sensor (MS) for the UV range.

OPERATIONS & ELECTRICAL

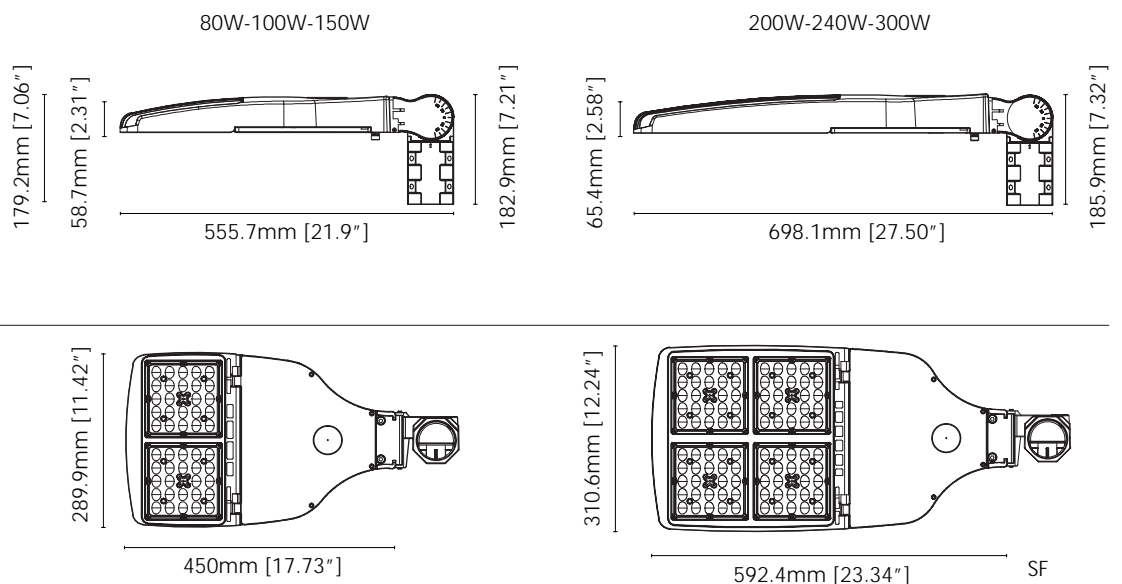
Input Voltage : 100-277V, 277-480V
 Dimming : 0-10V external dimming down to 10%
 Lumens per Watt : 135 LPW at 70CRI
 Distribution : T2, T3 (left or right throw available), T4, T5

ORDERING GUIDE

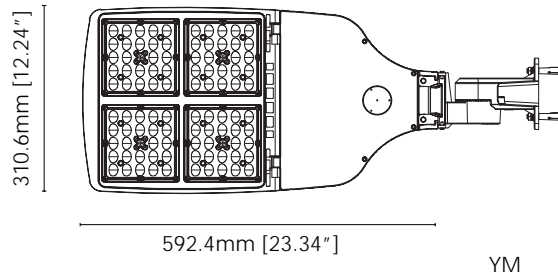
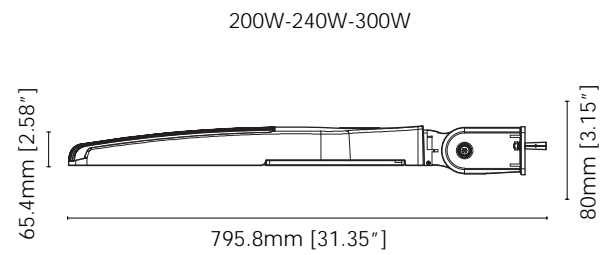
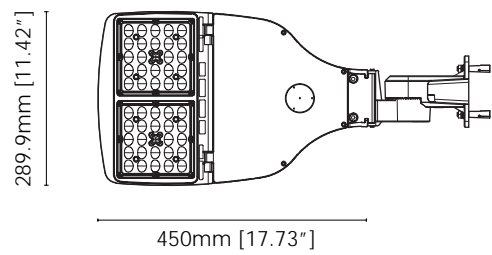
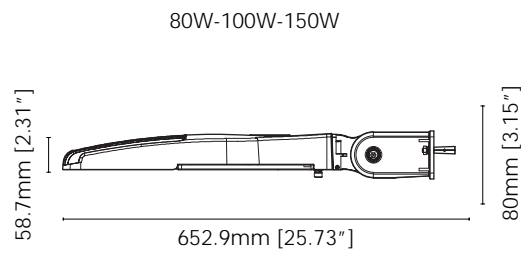
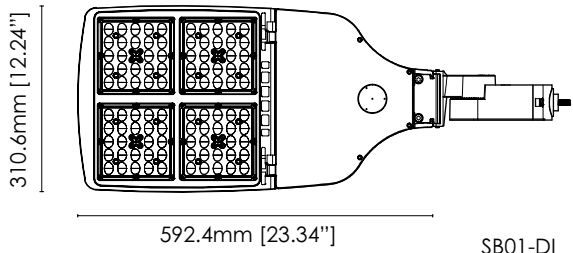
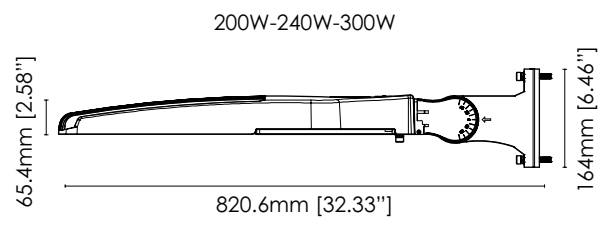
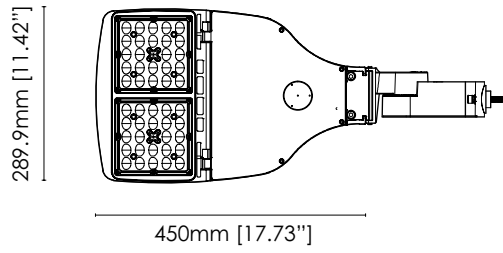
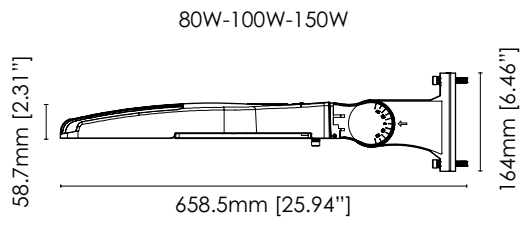
Ordering code example: AE-OD-GY-100UV-D-40-T2-A-BK

FIXTURE FAMILY	POWER	VOLTAGE	CONTROLS	CCT	DISTRIBUTION	MOUNTING TYPE	FINISH
AE-OD-GY ERALUX GENESYS Series Outdoor Area Light fixture	-80 80 Watts: 10,500 lumens	UV- 100- 277Vac input voltage range HV- 277- 480Vac input voltage range	-D 0-10V external dimming down to 10% -P Photocontrol daylight sensor -M Microwave controller *Only for 120- 277V	-40 4000K CCT -50 5000K CCT	-T2 Type 2 -T3N Type 3 forward -T3L Type 3 left -T3R Type 3 right -T4 Type 4 -T5 Type 5	-A Slip Fitter -B Direct Bracket -C Yoke Mount -D No Mounting	-BK Black finish -BZ Bronze finish -AL Aluminum powder coat finish*
	-100 100 Watts: 13,500 lumens						
	-150 150 Watts: 20,250 lumens						
	-200 200 Watts: 27,000 lumens						
	-300 300 Watts: 40,500 lumens						

DIMENSIONS



DIMENSIONS





A single continuous LED board with the option for ultra cold color temperature, the RIZZUTO is available in 4 wattages: 100W, 150W, 200W, and 300W. Available in standard U, 120-277Vac, as well as H, 200-480Vac, input voltage ranges. The fixture is offered at 3 CCT: 4000K, 5000K, and 6500K. Possible additions for the fixture's controls include dimming, or photocontrol daylight sensor.

OPERATIONS & ELECTRICAL

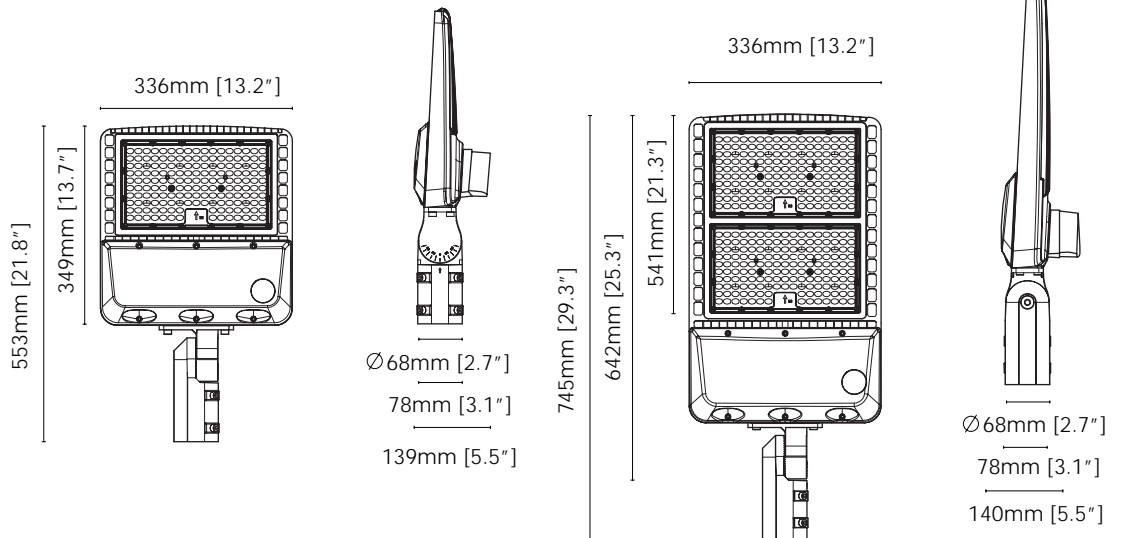
Input Voltage : 120-277V, 200-480V
 Dimming : 0-10V external dimming down to 10%
 Lumens per Watt : 130 LPW at 70CRI
 Distribution : Types 2, 3, 4, 5

DIMENSIONS

AE-OD-RZ-100W, AE-OD-RZ-150W

AE-OD-RZ-200W, AE-OD-RZ-300W

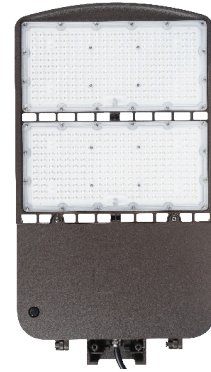
RIZZUTO



ORDERING GUIDE

Ordering code example: AE-OD-RZ-100W-7-40-D-U-T4-D-BK

FIXTURE FAMILY	POWER	CRI	CCT	CONTROLS	VOLTAGE	DISTRIBUTION	MOUNTING TYPE	FINISH
AE-OD-RZ ERALUX Rizzuto Series outdoor area light fixture	-100W 100 Watts: 13,000 lumens	-7 70 CRI	40 4000K CCT	-D 0-10V external dimming down to 10%	U 100-277Vac input voltage range	-T2 Type 2	-A Slip Fitter	-BK Black finish
	-150W 150 Watts: 19,500 lumens		50 5000K CCT					
	-200W 200 Watts: 26,000 lumens	-7 70 CRI	65 6500K CCT	-P Photocontrol daylight sensor	H 277-480Vac input voltage range	-T4 Type 4	-C Trunnion	-WH ERALUX Nebula white powdercoat finish*
	-300W 300 Watts: 39,000 lumens		65 6500K CCT					
						-T5 Type 5	-D No Mounting	-AL Aluminum powder coat finish



A great standard outdoor area light, ZORRO is available in 5 wattage options: 100W, 150W, 200W, 240W, and 300W options. The fixture is offered at 2 different CCT's: 4000K, and 5000K. Available in the standard CA, 120-347Vac, input voltage range. Possible additions for the fixture's controls include dimming, or photocontrol daylight sensor.

OPERATIONS & ELECTRICAL

Input Voltage : 120-347Vac
 Dimming : 0-10V external dimming down to 10%
 Lumens per Watt : 130 LPW at 80CRI
 Distribution : Type 3, 4, 5

ZORRO

ORDERING GUIDE

Ordering code example: AE-OD-ZR-100WCA-D-40-T3-A-BZ

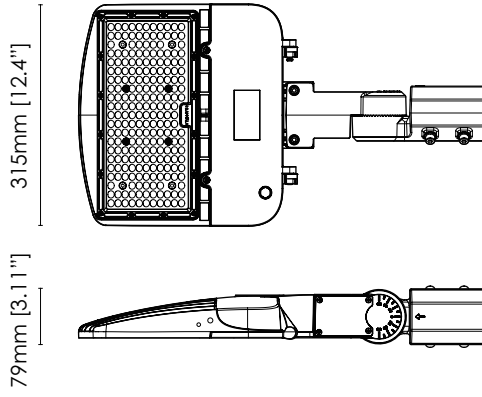
FIXTURE FAMILY	POWER	VOLTAGE	CONTROLS	CCT	DISTRIBUTION	MOUNTING TYPE	FINISH
AE-OD-ZR ERALUX ZR(ZORRO) Series Outdoor Area Light fixture	-100W 100 Watts: 13,000 lumens	CA 120- 347Vac input voltage	-D 0-10V external dimming down to 10%	-40 4000K CCT	-T3 Type 3	-A Slip Fitter	-BZ Bronze finish
	-150W 150 Watts: 19,500 lumens						
	-200W 200 Watts: 26,000 lumens						
	-240W 240 Watts: 31,200 lumens						
	-300W 300 Watts: 39,000 lumens						
			-P Photocontrol daylight sensor	-50 5000K CCT	-T4 Type 4	-C Yoke Mount	
					-T5 Type 5	-D No Mounting	

DIMENSIONS

100W/150W/200W

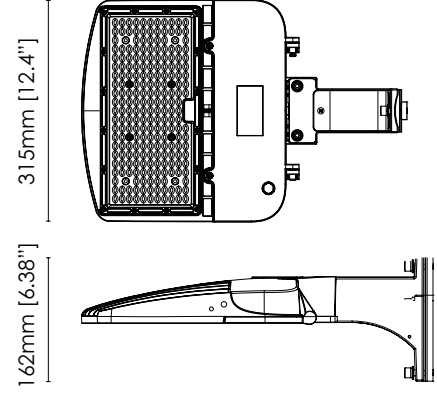
Slip Fitter mounting

575mm/618mm [22.63"/24.33"]



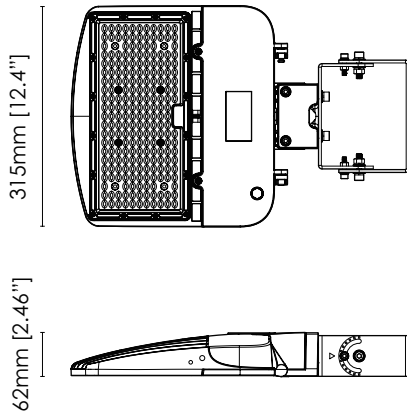
Direct mounting

462mm/505mm [18.17"/19.87"]



Yoke mounting

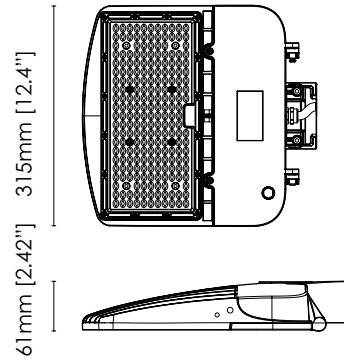
482mm/525mm [18.96"/20.66"]



No mounting

334mm/377mm [13.14"/14.84"]

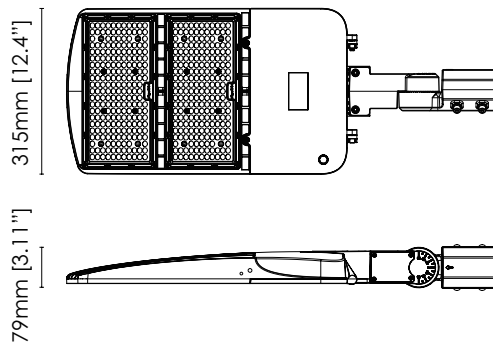
290mm/333mm [11.41"/13.11"]



240W/300W

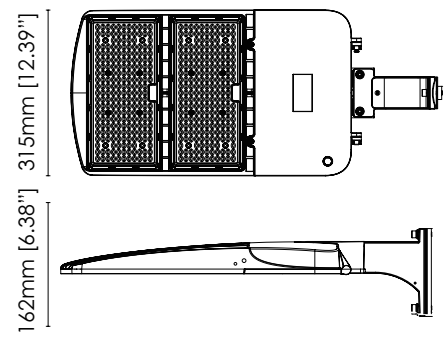
Slip Fitter mounting

818mm [32.21"]



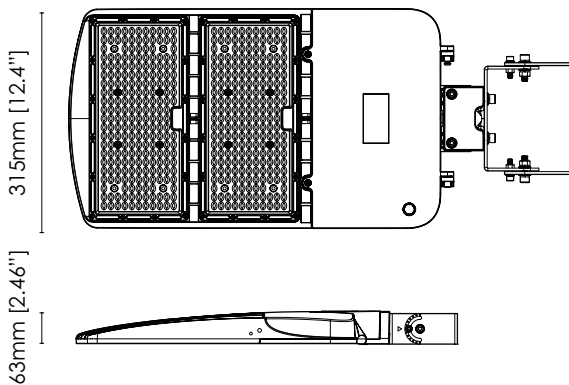
Direct mounting

705mm [27.75"]



Yoke mounting

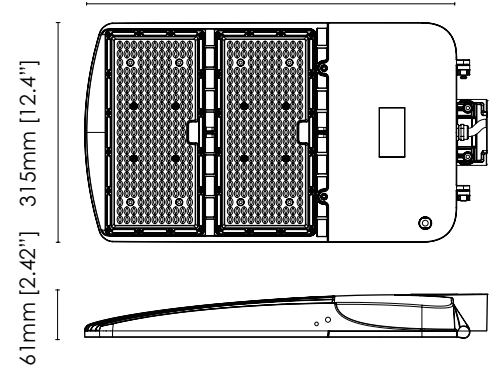
725mm [28.54"]



No mounting

577mm [22.72"]

533mm [20.99"]





An absolute powerhouse stadium light, HERCULES is available in 6 wattage options: 300W, 400W, 500W, 750W, 1000W, and 1250W. The fixture is offered at 3 different CCT's: 4000K, 5000K and 6500K. Available in the standard UV, 120-347Vac, and HV, 200-480Vac, input voltage ranges. From lighting up a small practice to the next big game, the HERCULES is ready.

OPERATIONS & ELECTRICAL

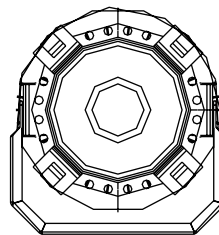
Input Voltage : 100-277Vac, 240-480Vac

Dimming : No dimming

Lumens per Watt : 130 LPW at >70CRI

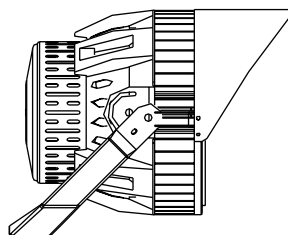
Beam angle: 15°, 30°, 45°, 80°

DIMENSIONS



363mm/472mm [14.3"/18.6"]

480mm/582mm [18.9"/22.9"]



HERCULES

ORDERING GUIDE

Ordering code example: AE-OD-HC300W-UV-A-Z-4000K30

FIXTURE FAMILY	POWER	CONTROLS	VOLTAGE	DRIVER COMPARTMENT	CCT	BEAM ANGLE	
AE-OD-HC ERALUX Hercules Series LED stadium light fixture	300W 300 watts: 39,000 lumens	-[LEAVE BLANK] No dimming	UV- 120-277Vac input voltage range	A-Z- Driver compartment	4000K 4000K CCT	15 15° beam angle	
	400W 400 watts: 52,000 lumens					30 30° beam angle	
	500W 500 watts: 65,000 lumens					45 45° beam angle	
	750W 750 watts: 97,500 lumens				HV- 200-480Vac input voltage range	5000K 5000K CCT	20 20° beam angle
	1000W 1000 watts: 130,000 lumens						25 25° beam angle
	1250W 1250 watts: 162,500 lumens						40 40° beam angle



An elegant and enchanting post light, SALVATION POST LIGHT is available in 4 wattage options: 40W, 60W, 80W, or 100W. The fixture is offered at 3 different CCT's: 3000K, 4000K and 5000K. Available in the standard 120-277Vac, input voltage range. Housed in durable aluminum, the post light is certified to withstand the harsh outdoor environments with IP65 and IK09.

OPERATIONS & ELECTRICAL

Input Voltage : 100-277Vac
 Dimming : No dimming
 Lumens per Watt : Avg 88 LPW at 70CRI
 Distribution : Type 5

ORDERING GUIDE

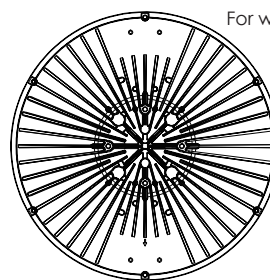
Ordering code example: AE-FL-GL35-02-40W-30K-GR

FIXTURE FAMILY	POWER	CCT	FINISH
AE-FL-GL35 Outdoor products Salvation Post Light Fixture	-02-40W 40 watts: 3600 lumens	-30K 3000K CCT	-GR Grey powder coat finish
	-02-60W 60 watts: 5280 lumens	-40K 4000K CCT	-BK Matte Black powder coat finish
	-02-80W 80 watts: 7040 lumens	-50K 5000K CCT	-WH Matte White powder coat finish
	-02-100W 100 watts: 8800 lumens		

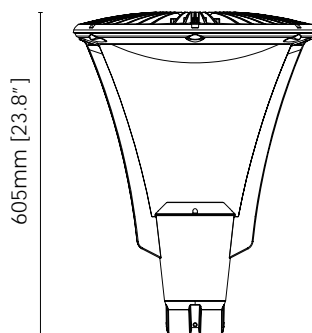
SALVATION

DIMENSIONS

For wattage is $\geq 60W$, driver is remote
 For wattage is $\leq 50W$, driver is within fixture



450mm [17.7"]



605mm [23.8"]

90mm [3.54"]



The bollard with 360-degree light, DONATELLO is a bollard available in 3 wattages, 10 watts, 20 watts, and 35 watts. The fixture is offered at 3 different CCT's: 3000K, 4000K and 5000K. Available in the standard 120-277Vac, input voltage range. Built to withstand harsh environment with IP65, corrosion-resistant aluminium housing and plate. With 360-degree optical polymer lens, the bollard is made to produce light in all surrounding areas to provide an evenly lit environment.

OPERATIONS & ELECTRICAL

Input Voltage : 100-277V
 Dimming : No dimming
 Lumens: 400-1000 lm at 80CRI
 Beam Angle: 120°

ORDERING GUIDE

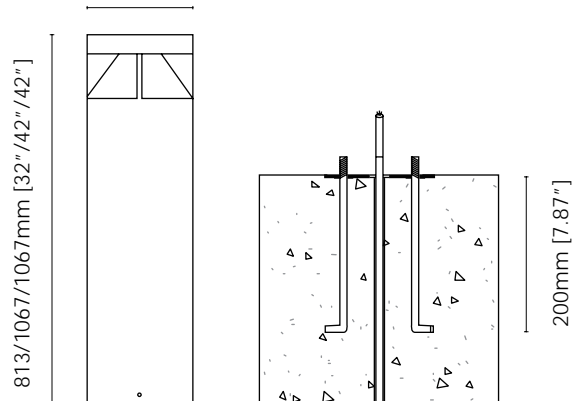
Ordering code example: AE-OD-DN25-C10-32-6-3-80-B-M

DONATELLO

FIXTURE FAMILY	POWER & SIZE	CCT	CRI	HOUSING & FINISH
AE-OD-DN25 (400 lumens) Outdoor products Donatello Bollard Fixture	-C10-32-6 120-277Vac 10 watts: 400 lumens 32" height; 6" diameter	-3 3000K CCT	-80 80 CRI	-B-M Thermoset powder coat graphite black aluminum-cast housing with marine corrosion resistant finish
				-Z-M Thermoset powder coat mineral bronze aluminum-cast housing with marine corrosion resistant finish
AE-OD-DN26 Outdoor products Donatello Bollard Fixture	-C20-42-8 120-277Vac 20 watts: 1000 lumens 42" height; 8" diameter	-4 4000K CCT	-5 5000K CCT	-W-M ERALUX nebula white thermoset cast housing with marine corrosion resistant finish*
				-S-M Aluminum thermoset cast housing with marine corrosion resistant finish*

DIMENSIONS

140/200/200mm [5.5"/7.87"/7.87"]





A semi covered bollard head, LEONDARDO is a bollard with 2 wattages, 5 watts, and 15 watts, correlating to the heights of 32", and 42" respectfully. The fixture is offered at 3 different CCT's: 3000K, 4000K and 5000K. Available in the standard 120-277Vac, input voltage range. Built to withstand harsh environment with IP65, corrosion-resistant aluminium housing and plate. LEONDARDO features a contained ray of light that is powerful enough to light up the darkest of nights.

OPERATIONS & ELECTRICAL

Input Voltage : 120-277Vac
 Dimming : No dimming
 Lumens : 168-402 at 80CRI
 Protection: IP65, thermally-insulated driver

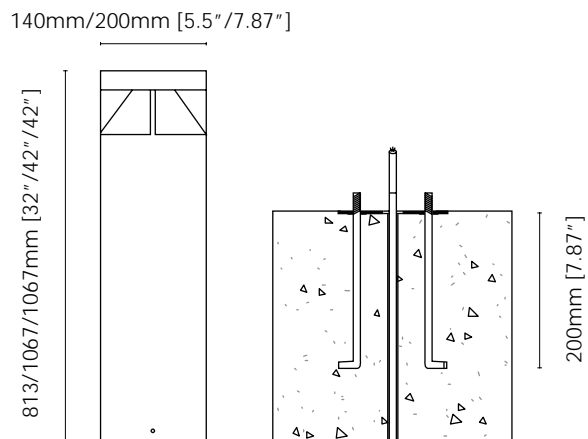
ORDERING GUIDE

Ordering code example: AE-OD-LD35-C5-32-6-3-80-B-M

LEONARDO

FIXTURE FAMILY	POWER & SIZE	CCT	CRI	HOUSING & FINISH
AE-OD-LD35 Outdoor products Leonardo Bollard Fixture	-C5-32-6 120-277Vac 5 watts: 168 lumens 32" height 6" diameter	-3 3000K CCT		-B-M Thermoset powder coat graphite black aluminum-cast housing with marine corrosion resistant finish
		-4 4000K CCT	-80 80 CRI	-Z-M Thermoset powder coat mineral bronze aluminum-cast housing with marine corrosion resistant finish
AE-OD-LD36 Outdoor products Leonardo Bollard Fixture	-C15-42-8 120-277Vac 15 watts: 402 lumens 42" height 8" diameter *0-10V Dimming for 20W option only	-5 5000K CCT		-W-M ERALUX nebula white thermoset cast housing with marine corrosion resistant finish
				-S-M Aluminum thermoset cast housing with marine corrosion resistant finish*

DIMENSIONS





The cone that provides 360-degree light, MICHELANGELO is available in 3 wattages: with the 10 watts correlating to a 33' height, and the 20 watts, and 32 watts correlating with a 44" height. The fixture is offered at 3 different CCT's: 3000K, 4000K and 5000K. Available in the stand 277Vac, input voltage range. With a tall center cone, MICHELANGELO's symmetric head provide an elegant ring of light, brightening the darkest of environments beautifully.

OPERATIONS & ELECTRICAL

Input Voltage : 120-347Vac
 Dimming : 1-10V external dimming down to 10%
 Lumens per Watt : 125 LPW at 80CRI
 Distribution : Lambertain

ORDERING GUIDE

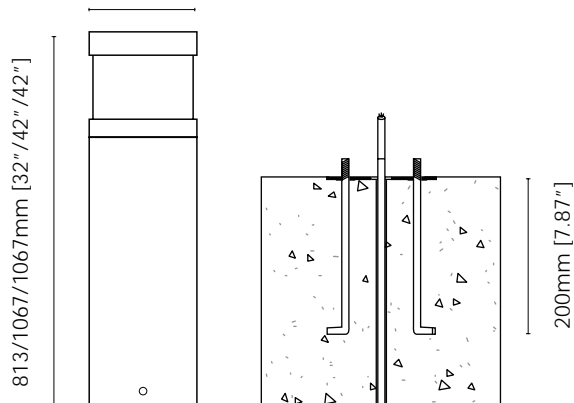
Ordering code example: AE-OD-ML27-C10-33-6-3-80-B-M

MICHELANGELO

FIXTURE FAMILY	POWER & SIZE	CCT	CRI	HOUSING & FINISH
AE-OD-ML27 Outdoor products Michelangelo Bollard Fixture	-C10-33-6 120-277Vac 10 watts: 400 lumens 33" height; 6" diameter	-3 3000K CCT		-B-M Thermoset powder coat graphite black aluminum-cast housing with marine corrosion resistant finish
	-C20-44-8 120-277Vac 20 watts: 1225 lumens 44" height; 8" diameter	-4 4000K CCT	-80 80 CRI	-Z-M Thermoset powder coat mineral bronze aluminum-cast housing with marine corrosion resistant finish
AE-OD-ML28 Outdoor products Michelangelo Bollard Fixture	-C35-44-8 120-277Vac 32 watts: 1960 lumens 44" height; 8" diameter	-5 5000K CCT		-W-M ERALUX nebula white thermoset cast housing with marine corrosion resistant finish*
				-S-M Aluminum thermoset cast housing with marine corrosion resistant finish*

DIMENSIONS

140/200/200mm [5.5"/7.87"/7.87"]





The cone that provides 360-degree light with 4 reinforced bars to create 4 rays of distribution, and RAPHAEL is available in 3 wattages: with the 10 watts correlating to a 32" height, and the 20 watts, and 31 watts correlating with a 42" height. The fixture is offered at 3 different CCT's: 3000K, 4000K and 5000K. Available in the standard 120-277Vac, input voltage range. RAPHAEL's beam is split into a quadrant, shining outwards for an elegant glow to light up the surroundings.

OPERATIONS & ELECTRICAL

Input Voltage : 120-277Vac
 Dimming : No dimming
 Lumens: 267-1273 at 80CRI
 Protection: IP65, thermally-insulated driver

ORDERING GUIDE

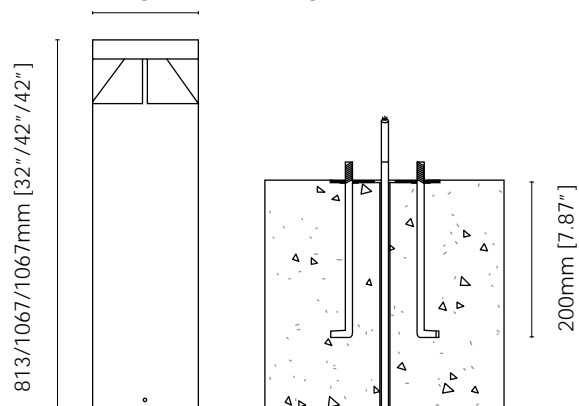
Ordering code example: AE-OD-RL23-C10-42-6-3-80-B-M

RAPHAEL

FIXTURE FAMILY	POWER & SIZE	CCT	CRI	HOUSING & FINISH
AE-OD-RL23 Outdoor products Raphael Bollard Fixture	-C10-32-6 120-277Vac 10 watts: 267 lumens 32" height: 6" diameter	-3 3000K CCT		-B-M Thermoset powder coat graphite black aluminum-cast housing with marine corrosion resistant finish
	-C20-42-8 120-277Vac 20 watts: 796 lumens 42" height: 8" diameter *1-10V Dimming for 20W option only	-4 4000K CCT	-80 80 CRI	-Z-M Thermoset powder coat mineral bronze aluminum-cast housing with marine corrosion resistant finish
AE-OD-RL24 Outdoor products Raphael Bollard Fixture	-C35-42-8 120-277Vac 32 watts: 1273 lumens 42" height: 8" diameter	-5 5000K CCT		-W-M ERALUX nebula white thermoset cast housing with marine corrosion resistant finish*
				-S-M Aluminum thermoset cast housing with marine corrosion resistant finish*

DIMENSIONS

140/200/200mm [5.5"/7.87"/7.87"]





The U-shaped bollard head, SPLINTER is available in 2 wattages: 14 watts and 24 watts. The fixture is offered at 3 different CCT's: 3000K, 4000K and 5000K. Available in the standard 120-277Vac, input voltage range. SPLINTER withstands the harshest of environments backed by certification, such as the IP66, and equipped with surge protection. SPLINTER is ready to handle the harsh winters, and sizzling summers.

OPERATIONS & ELECTRICAL

Input Voltage : 100-277Vac
 Dimming : No dimming
 Lumens: 1680-2880 at 80CRI
 Distribution : Type 5

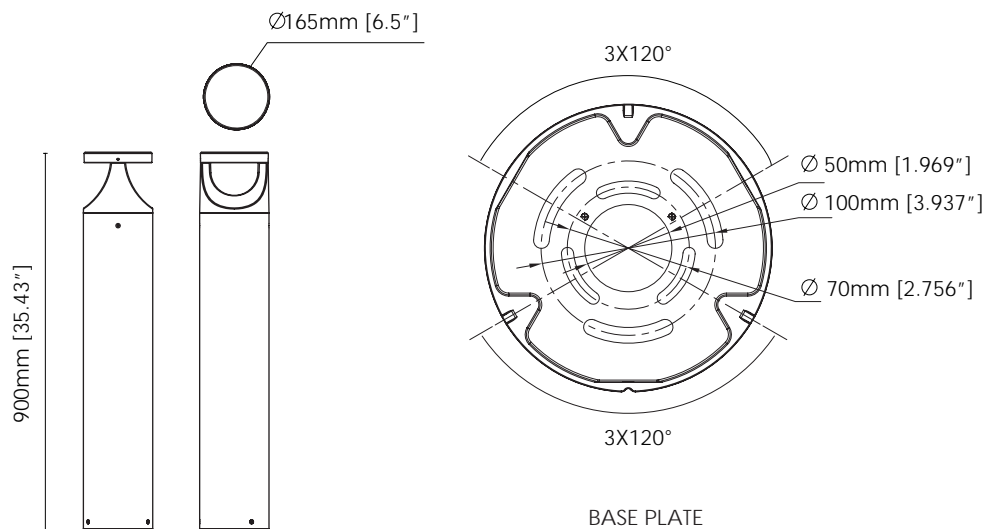
ORDERING GUIDE

Ordering code example: AE-OD-ST-24UV-830-35-BK

SPLINTER

FIXTURE FAMILY	POWER	CCT	SIZE	HOUSING & FINISH
AE-OD-ST Outdoor products SPLINTER Bollard Fixture	-14UV 14 watts; 1,680 lumens 120-277V	-830 3000K CCT, 80 CRI	-35 35" height 6.5" diameter	-BK powder coat graphite black aluminum-cast housing
	-24UV 24 watts; 2,880 lumens 120-277V	-840 4000K CCT, 80 CRI		
		-850 5000K CCT, 80 CRI		

DIMENSIONS





The curved lens that features a 160° shaped beam, VERMONT is available in 4 wattages: 25 watts, 40 watts, 60 watts, and 65 watts. Available in the standard 120-277Vac, input voltage range. The fixture is offered at 2 different CCT's: 4000K and 5000K. Possible additions for the fixture's controls include Bi-level microwave sensor. Its robust and durable design allow it to withstand the outdoor elements wherever placed.

OPERATIONS & ELECTRICAL

Input Voltage : 100-277V
 Dimming : 0-10V dimming
 Lumens per Watt : 125 LPW at 80CRI
 Beam angle: 160° bat wing beam angle

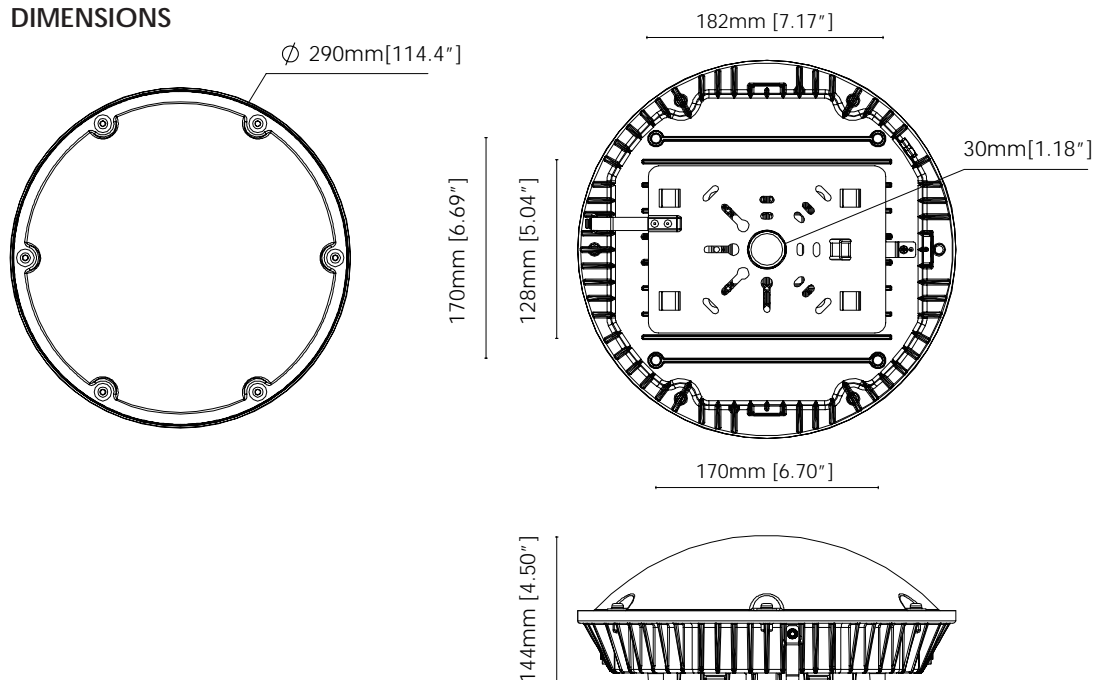
ORDERING GUIDE

Ordering code example: AE-OD-VT25W-40

FIXTURE FAMILY	POWER	CCT	SENSOR
	25W 25 Watts: 3100 lumens		
AE-OD-VT ERALUX Vermont Series outdoor canopy light fixture	40W 40 Watts: 5180 lumens	-40 4000K CCT	-[blank] No sensor
	60W 60 Watts: 7750 lumens	-50 5000K CCT	-M Bi-level microwave sensor
	65W 65 Watts: 8100 lumens		

VERMONT

DIMENSIONS



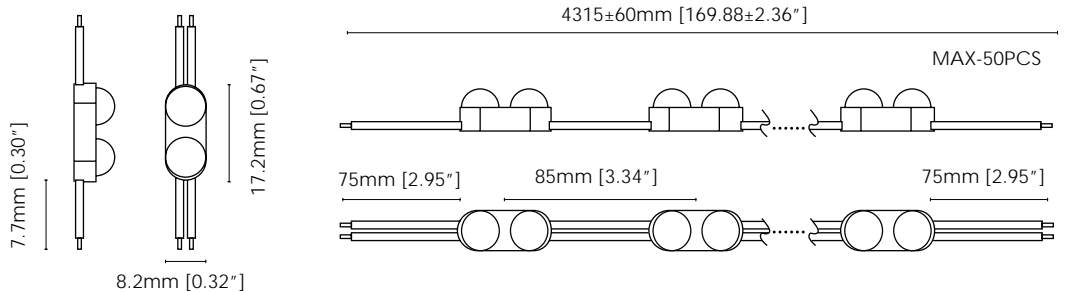


IP65
@-25 to 60°C

MFW1G3A1
MFW1G3A2

FIXTURE FAMILY		CCT
MFW1G3A1 164 LPW at 80CRI @4000K Power consumption : 0.3W Beam angle : 150°	ERALUX compact signage LED 12VDC	-3 3000K CCT
		-4 4000K CCT
		-5 5000K CCT
MFW1G3A2 164 LPW at 80CRI @4000K Power consumption : 0.3W Beam angle : 150°	ERALUX compact signage LED 24VDC	-6 6500K CCT

DIMENSIONS

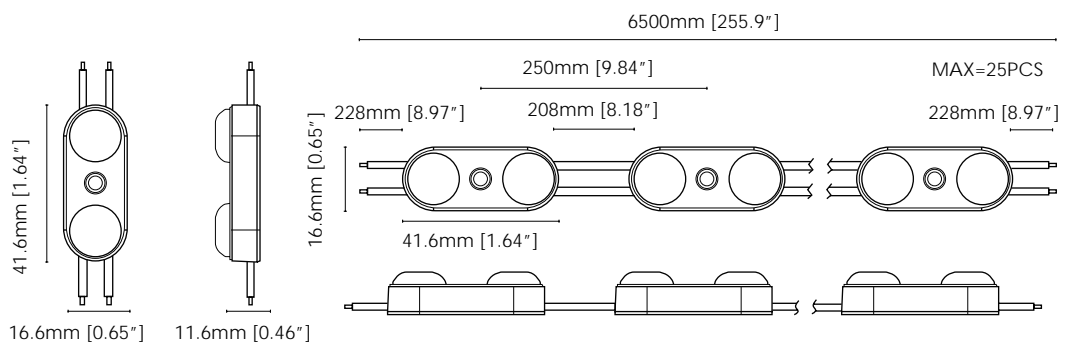


IP68
@-25 to 60°C

MFW1H7D1
MFW1H7D2

FIXTURE FAMILY		CCT
MFW1H7D1 163 LPW at 80CRI @4000K Power consumption : 0.5W Beam angle : 170°	ERALUX compact signage LED 12V DC	-3 3000K CCT
		-4 4000K CCT
		-5 5000K CCT
MFW1H7D2 163LPW at 80CRI @4000K Power consumption : 0.5W Beam angle : 170°	ERALUX compact signage LED 24V DC	-6 6500K CCT

DIMENSIONS



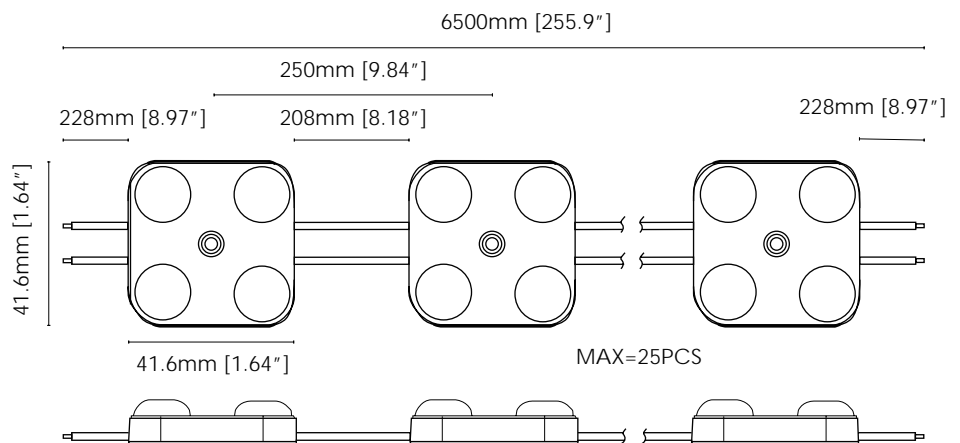
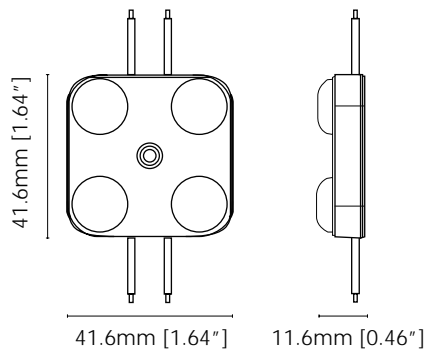


IP68
@-25 to 60°C

FIXTURE FAMILY		CCT
MFW110D1 170 LPW at 80CRI @4000K Power consumption : 1.2W Beam angle : 170°	ERALUX compact signage LED 12V DC	-3 3000K CCT
		-4 4000K CCT
MFW110D2 170LPW at 80CRI @4000K Power consumption : 1.2W Beam angle : 170°	ERALUX compact signage LED 24V DC	-5 5000K CCT
		-6 6500K CCT

MFW110D1
MFW110D2

DIMENSIONS





The classic outdoor cylindrical sconce, THALASSA ET6020 is available in 24 watts with 1680 lumens, and 40 watts 2800 lumens. The fixture is offered at 3 different CCT's per specific wattage option. Available in the standard 120-277Vac, input voltage range. Possible additions for the fixture's controls include dimming to 10%.

OPERATIONS & ELECTRICAL

Input Voltage : 100-277Vac

Dimming : 0-10V external dimming down to 10% (with DMG option)

Lumens per Watt : ~70 LPW at 80CRI

Beam angle: 24W:10, 25, 38, 45, 60° 40W: 8, 18, 36, 62°

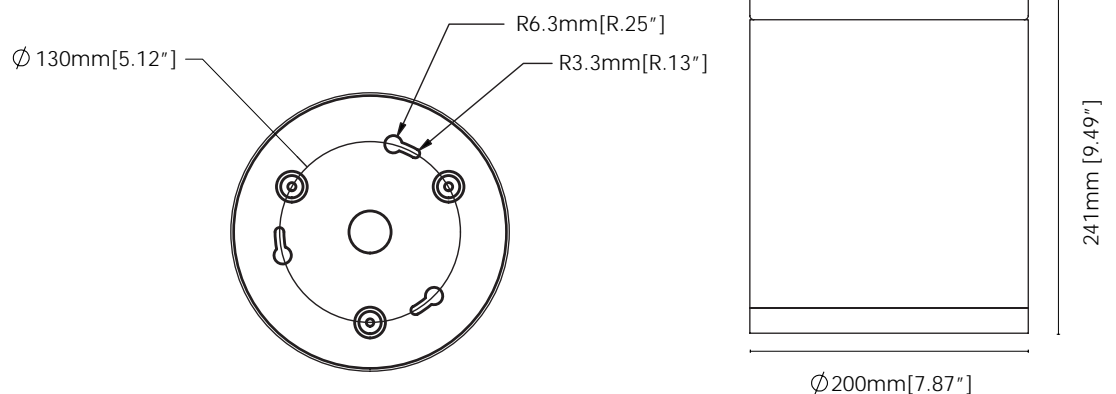
ORDERING GUIDE

Ordering code example: ET6020-C24-3-10-80-W-DMG

THALASSA ET6020

FIXTURE FAMILY	POWER	CCT	BEAM ANGLE	CRI	FINISH	CONTROL
ET6020 ERALUX Thalassa ET6020 outdoor surface mounted sconce fixture	-C24 24 watts: 1680 lumens	-3 3000K CCT	-10 10° beam angle	-80 80 CRI	-B Black powder coat finish	-DMG 0-10V external dimming down to 10%
		-4 4000K CCT	-25 25° beam angle			
		-6 6000K CCT	-38 38° beam angle			
			-45 45° beam angle			
			-60 60° beam angle			
	-C40 40 watts: 2800 lumens	-3 3000K CCT	-08 8° beam angle		-S Silver powder coat finish	
		-4 4000K CCT	-18 18° beam angle			
		-5 5000K CCT	-36 36° beam angle			
			-62 62° beam angle			

DIMENSIONS





Up and downlight outdoor cylindrical sconce, THALASSA ET6022 is available in 24 watts with 1680 lumens, and 40 watts 2800 lumens. The fixture is offered at 3 different CCT's per specific wattage option. Available in the standard 120-277Vac, input voltage range. Possible additions for the fixture's controls include dimming to 10%.

OPERATIONS & ELECTRICAL

Input Voltage : 100-277Vac

Lumens per Watt : ~70 LPW at 80CRI

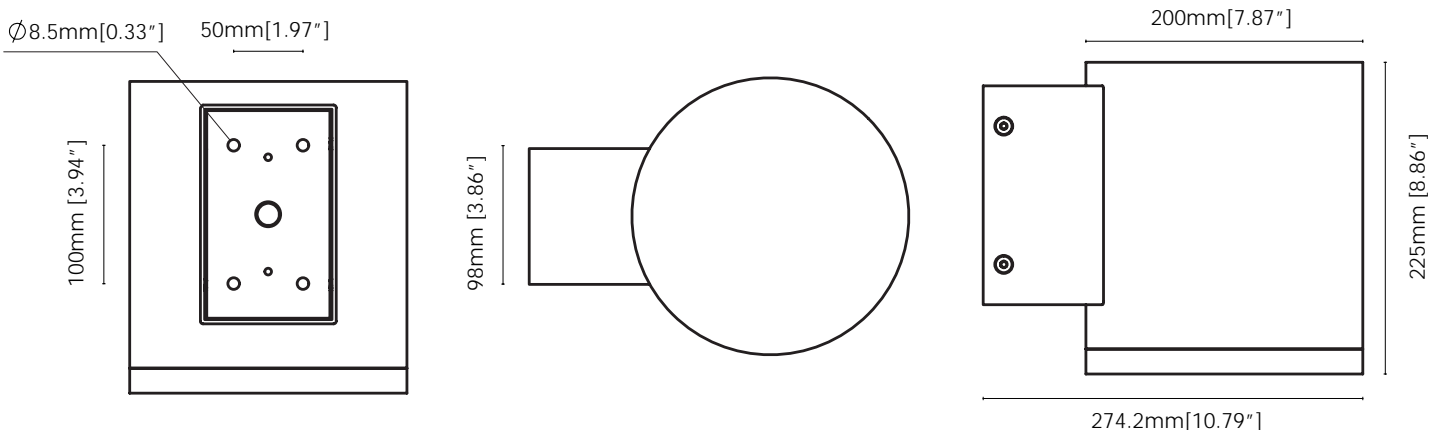
ORDERING GUIDE

Ordering code example: ET6022D-C24-3-25-80-B-DMG

FIXTURE FAMILY	LIGHT DIRECTION	POWER	CCT	BEAM ANGLE	CRI	FINISH	CONTROL
ET6022 ERALUX Thalassa ET6022 outdoor surface mounted sconce fixture	D Down light	-C24 24 watts: 1680 lumens	-3	10° beam angle	-80 80 CRI	-B Black powder coat finish	-DMG 0-10V external dimming down to 10%
			-25	25° beam angle			
			-4	38° beam angle			
			-45	45° beam angle			
			-60	60° beam angle			
			-6	6000K CCT			
	U Up light	-C40 40 watts: 2800 lumens	-3	8° beam angle	-80 80 CRI	-W White powder coat finish	-S Silver powder coat finish
			-18	18° beam angle			
			-4	4000K CCT			
			-36	36° beam angle			
			-5	5000K CCT			
			-62	62° beam angle			

THALASSA ET6022

DIMENSIONS





Vast combinations in up-light and down-light combinations, THALASSA ET6024 is available in 24 watts with 1896 lumens and 40 watts with 3160 lumens. The fixture is offered at 3 different CCT's: 3000K, 4000K, and 6000K. Available in the standard 120-277Vac, input voltage range. Possible additions for the fixture's controls include dimming to 10%.

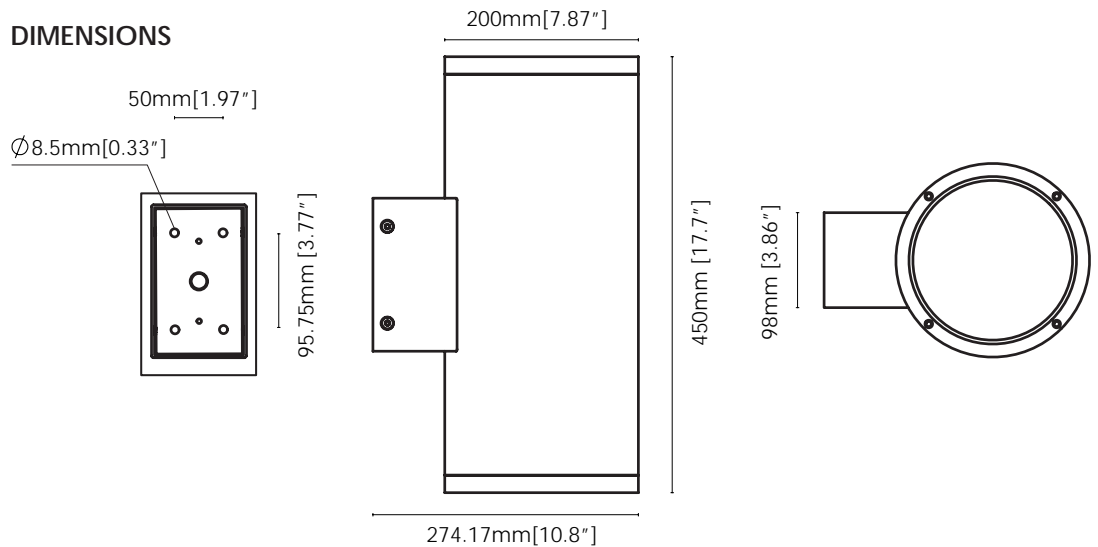
OPERATIONS & ELECTRICAL

Input Voltage : 100-277Vac

Dimming : 0-10V external dimming down to 10% (with DMG option)

Lumens per Watt : 79 LPW at 80CRI

DIMENSIONS



THALASSA ET6024

ORDERING GUIDE

Ordering code example: ET6024-C48-3-1060-80-W-DMG

FIXTURE FAMILY	POWER	CCT	UP LIGHT BEAM ANGLE	DOWN LIGHT BEAM ANGLE	CRI	FINISH	CONTROL
ET6024 ERALUX Thalassa ET6024 outdoor surface mounted sconce fixture	-C48 24 watts: 1896 lumens x 2 (up light & downlight)	-3 3000K CCT	-10	-10	-80 80 CRI	-B Black powder coat finish	-DMG 0-10V external dimming down to 10%
			Up Light 10°	Down Light 10°			
			-25	-25			
			Up Light 25°	Down Light 25°			
			-38	-38			
			Up Light 38°	Down Light 38°			
	-4 4000K CCT	-45	-45				
		Up Light 45°	Down Light 45°				
		-60	-60				
		Up Light 60°	Down Light 60°				
		-6 6000K CCT	-08	-08			
		Up Light 8°	Down Light 8°				
-C80 40 watts: 3160 lumens x 2 (up light & downlight)	-4 4000K CCT	-18	-18	-S Silver powder coat finish	-DMG 0-10V external dimming down to 10%		
		Up Light 18°	Down Light 18°				
		-36	-36				
		Up Light 36°	Down Light 36°				
		-62	-62				
		Up Light 62°	Down Light 62°				



Clean edges make the square sconce, THALASSA ET6120 is available in 30 watts with 2400 lumens. The fixture is offered at 3 different CCT's: 3000K, 4000K, and 5000K. Available in 4 beam angles: 15-degrees, 20-degrees, 30-degrees, and 60-degrees. Possible additions for the fixture's controls include dimming to 10%. Aluminum die cast housing combined with a highly durable tempered glass lens that ensures evenly luminated surfaces with minimal glare.

OPERATIONS & ELECTRICAL

Input Voltage : 100-277Vac
 Dimming : 0-10V external dimming down
 Lumens per Watt : ~75 LPW at 80CRI
 Beam angle: 15°, 20°, 30°, 60°

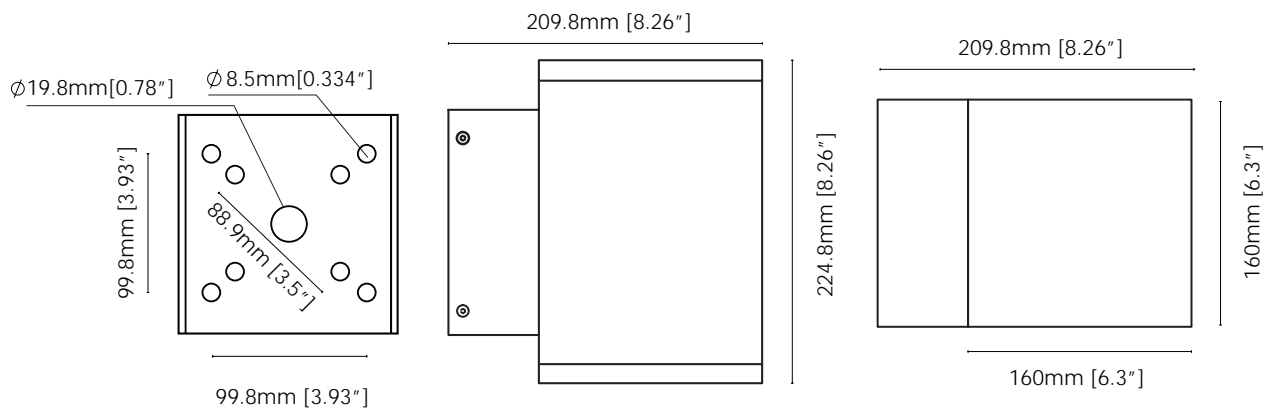
ORDERING GUIDE

Ordering code example: ET6120-C30-3-15-80-W-DMG

THALASSA ET6120

FIXTURE FAMILY	POWER	CCT	BEAM ANGLE	CRI	FINISH	CONTROLS
ET6120 ERALUX Thalassa ET6120 outdoor wall mounted square sconce fixture	-C30 30 watts: 2400 lumens	-3	-15 15° beam angle	-80 80 CRI	-B Black powder coat finish	-DMG 0-10V external dimming down to 10%
		-4	-20 20° beam angle		-W White powder coat finish	
		-5	-30 30° beam angle		-S Silver powder coat finish	
		-6	-60 60° beam angle		-G Gray powder coat finish	
		-Z			-Z Mineral bronze powder coat finish	

DIMENSIONS





A modern square sconce with an up and down light, the THALASSA ET6123 is available with an up and downlight of 30 watts and 4800 lumens. The fixture is offered at 3 different CCT's: 3000K, 4000K, and 5000K. Available in 4 beam angles: 15-degrees, 20-degrees, 30-degrees, 60-degrees., and 1560, 15-degrees beam angle up and 60-degrees beam angle down. Possible additions for the fixture's controls include dimming to 10%.

OPERATIONS & ELECTRICAL

Input Voltage : 100-277Vac

Dimming : 0-10V external dimming down to 10% (with SDMG option)

Lumens per Watt : ~75 LPW at 80CRI

Beam angle: 15°, 20°, 30°, 60°, 15 & 60°

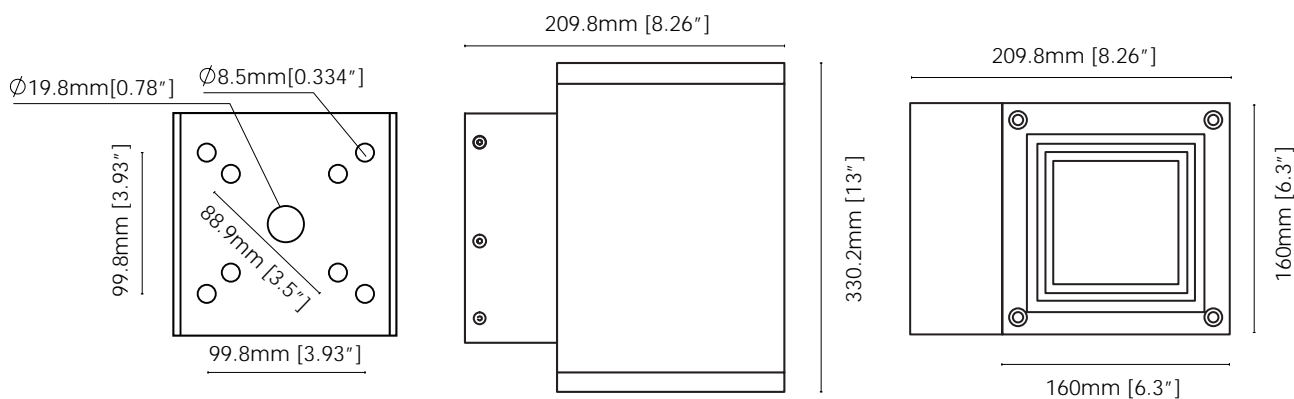
ORDERING GUIDE

Ordering code example: ET6123-C30X2-3-15-80-W-SDMG

THALASSA ET6123

FIXTURE FAMILY	POWER	CCT	BEAM ANGLE	CRI	FINISH	CONTROLS	
ET6123 ERALUX Thalassa ET6123 outdoor surface mounted square sconce fixture	-C30X2 2x30 watts: 4800 lumens	-3	15° beam angle		-B Black powder coat finish		
		3000K	-20	20° beam angle		-W White powder coat finish	-SDMG Up and down separate
		CCT	-4	30° beam angle	-80 80 CRI	-S Silver powder coat finish	0-10V external dimming
			-5	60° beam angle		-G Gray powder coat finish	down to 10%
		5000K	-1560	Up: 15° beam angle Down: 60° beam angle		-Z Mineral bronze powder coat finish	
		CCT					

DIMENSIONS





The square sconce with 4 unique beam angles, the THALASSA ET6150 is available at 40 watts and 3700 lumens. The fixture is offered at 3 different CCT's: 3000K, 4000K, and 5000K. Available in 4 beam angles: 8-degrees, 18-degrees, 36-degrees, and 62-degrees. Possible additions for the fixture's controls include dimming to 10%. Beautifully elegant yet simple, The ET6150 combines power and versatility inside its durable shell.

OPERATIONS & ELECTRICAL

Input Voltage : 100-277Vac

Dimming : 0-10V external dimming down to 10% (with DMG option)

Lumens per Watt : ~95 LPW at 80CRI

Beam angle : 8°, 18°, 36°, 62°

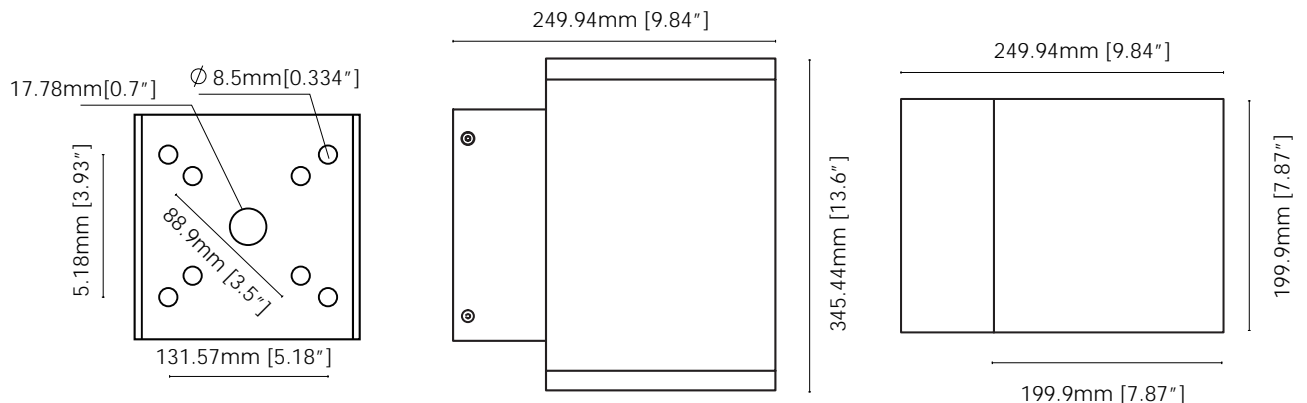
ORDERING GUIDE

Ordering code example: ET6150-C40-3-8-80-W-DMG

THALASSA ET6150

FIXTURE FAMILY	POWER	CCT	BEAM ANGLE	CRI	FINISH	CONTROLS
ET6150 ERALUX Thalassa ET6150 outdoor wall mounted square sconce fixture	-C40 40 watts: 3700 lumens	-3 3000K CCT	-8 8° beam angle	-80 80 CRI	-B Black powdercoat finish	-DMG 0-10V external dimming down -W to 10%
		-4 4000K CCT	-18 18° beam angle		-W White powder coat finish	
		-5 5000K CCT	-36 36° beam angle	-S Silver powder coat finish		
		-62 62° beam angle	-G Gray powder coat finish	-Z Mineral bronze powder coat finish		

DIMENSIONS





A powerful and diverse square sconce, the THALASSA ET6161 is available at 80 watts and 7400 lumens. The fixture is offered at 3 different CCT's: 3000K, 4000K, and 5000K. Available in 4 beam angles: 8-degrees, 18-degrees, 36-degrees, and 62-degrees. Available in a variety of colours, perfect to fit every building. Possible additions for the fixture's controls include dimming to 10%.

OPERATIONS & ELECTRICAL

Input Voltage : 100-277Vac

Dimming : 0-10V external dimming down to 10% (with DMG/SDMG option)

Lumens per Watt : ~95 LPW at 80CRI

Beam angle: 8°, 18°, 36°, 62°

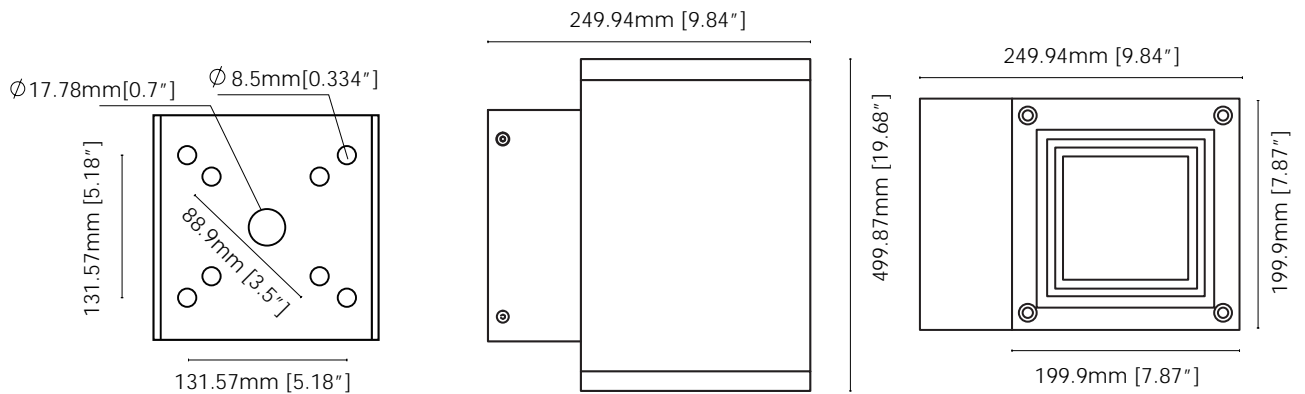
ORDERING GUIDE

Ordering code example: ET6161-C80-3-8-80-W-DMG

THALASSA ET6161

FIXTURE FAMILY	POWER	CCT	BEAM ANGLE	CRI	FINISH	CONTROLS
ET6161 ERALUX Thalassa ET6161 outdoor wall mounted square sconce fixture	-C80 80 watts: 7400 lumens	-3 3000K CCT	-8 8° beam angle	-80 80 CRI	-B Black powder coat finish	-DMG 0-10V external dimming down -W to 10%
		-4 4000K CCT	-18 18° beam angle		-W White powder coat finish	
		-5 5000K CCT	-36 36° beam angle		-S Silver powder coat finish	
		-62 62° beam angle	-G Gray powder coat finish			
					-Z Mineral bronze powder coat finish	

DIMENSIONS





A beautifully modern outdoor accent light, the Sapphire ET7016 is available in 4 watts with 150 lumens, and 8 watts with 300 lumens. The fixture is offered at 2 different CCT's: 3000K, and 4000K. Available in 3 beam angles: 15-degrees, 25-degrees, and 30-degrees. Possible additional accessories for the accent light include angled shroud, and straight shroud.

OPERATIONS & ELECTRICAL

Input Voltage : 100-277Vac
 Dimming : TRIAC dimming
 Lumens per Watt : 79 LPW at 80CRI
 Beam angle:15, 25, 38, 45, 60°

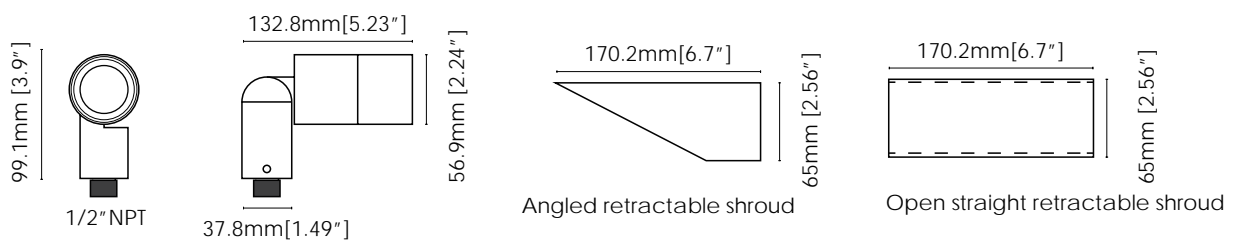
ORDERING GUIDE

Ordering code example: AE-OD-ET7016-C4-3-15-80-NS-B

SAPPHIRE ET7016

FIXTURE FAMILY	POWER	CCT	BEAM ANGLE	CRI	ACCESSORIES	FINISH
AE-OD-ET7016 ERALUX Sapphire ET7016 outdoor accent light fixture	-C4 4 watts: 150 lumens	-3 3000K CCT	-15 15° beam angle	-80 80 CRI	-NS No shroud	-B Black powder coat finish
			-25 25° beam angle		-AS Angled shroud	-W White powder coat finish
	-C8 8 watts: 300 lumens	-4 4000K CCT	-30 30° beam angle	-OS Straight shroud	-S Silver powder coat finish	

DIMENSIONS





With a possible motion sensor addition, ASPIRE is the outdoor wallpack available in 28 Watts, 40 Watts, 60 Watts, and 80 Watts. The fixture is offered at 4 different CCT's: 3000K, 3500K, 4000K, and 5000K. Available in the standard 120-277Vac, and HV, 277-480Vac input voltage range. Possible additions for the fixture's controls include photocell with for 120-277Vac, or a motion sensor.

OPERATIONS & ELECTRICAL

Input Voltage : 120-277V, 277-480V
 Dimming : 0-10V external dimming down to 10%
 Lumens per Watt : 130 LPW at 80CRI
 Beam angle: 90° x 100°

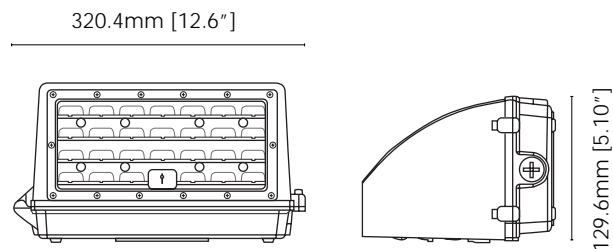
ORDERING GUIDE

Ordering code example: AE-WP-AP-28W-H-40K-BZ

FIXTURE FAMILY	POWER	PERFORMANCE	INPUT VOLTAGE	CCT	CONTROLS	FINISH
AE-WP-AP ERALUX Aspire Series outdoor wall pack light fixture	28W- 28 Watts: 3,640 lumens	H- Premium light diffusion	BLANK 120-277Vac input voltage range	30K- 3000K CCT	PC Photocell daylight sensor (Not available for HV option)	BZ Bronze powder coat finish
	40W- 40 Watts: 5,200 lumens					
	60W- 60 Watts: 7,800 lumens					
	80W- 80 Watts: 10,400 lumens					
			HV- 277-480Vac input voltage range	40K- 4000K CCT	MS Motion Sensor	BK Black Powder coat finish
				50K- 5000K CCT	BLANK NONE	

ASPIRE

DIMENSIONS





Power in variety, the ASTELLANO EVOLVE has 8 power options, available in: 20 Watts, 30 Watts, 40 Watts, 60 Watts, 80 Watts, 90 Watts, 100 Watts, and 120 Watts. The fixture is offered at 3 different CCT's: 3500K, 4000K, and 5000K. Available in the standard 120-277Vac, and M, 120-347Vac input voltage range. Possible additions for the fixture's controls include dimming to 10%, and photocell with dimming.

OPERATIONS & ELECTRICAL

Input Voltage : 120-277V, 120-347V
 Dimming : 0-10V external dimming down to 10%
 Lumens per Watt : 120 LPW at 80CRI
 Beam angle : 90°x100°

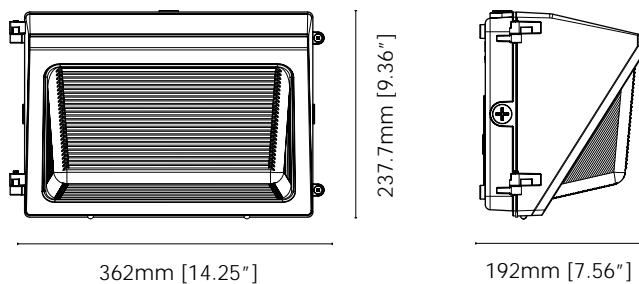
ORDERING GUIDE

Ordering code example: AE-WP-WP01-040-D-35

ASTELLANO EVOLVE

FIXTURE FAMILY	POWER	CONTROLS	CCT	VOLTAGE	FINISH
AE-WP-WP01-ERALUX Astellano GEN2 Series outdoor wall pack light fixture	060	D 0-10V external dimming down to 10%	35 3500K CCT	[BLANK] 120-277V	-BK Black powder coat finish
	60 watts: 7200 lumens				-BK Black powder coat finish
	40 watts: 4800 lumens		-WH White powder coat finish		
	30 watts: 3600 lumens		-AL Aluminum powder coat finish		
	20 watts: 2400 lumens	PD Photocell with Dimming	40 4000K CCT	-M 120-347V	-BK Black powder coat finish
	120				-WH White powder coat finish
	120 watts: 14400 lumens		-AL Aluminum powder coat finish		
	100 watts: 12000 lumens		-AL Aluminum powder coat finish		
90 watts: 10800 lumens		50 5000K CCT			
80 watts: 9600 lumens					

DIMENSIONS





The adjustable head option, the MASSINO has 6 power options, available in: 20 Watts, 40 Watts, 60 Watts, 80 Watts, 100 Watts, and 120 Watts. The fixture is offered at 2 different CCT's: 4000K, and 5000K. Available in the standard L 120-277Vac, and M, 120-347Vac input voltage range. Durability at it's finest, the MASSINO is protected as a IP65 and a IK08 certified light.

OPERATIONS & ELECTRICAL

Input Voltage : 120-277V, 120-347V
 Dimming : 0-10V external dimming down to 10%
 Lumens per Watt : 140 LPW at 70CRI
 Distribution : Type 2

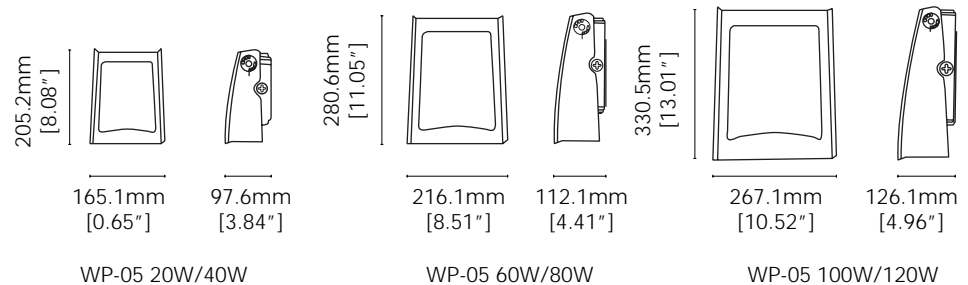
ORDERING GUIDE

Ordering code example: AE-WP-MS-060L-D-40-BZ

FIXTURE FAMILY POWER	VOLTAGE	CONTROLS	CCT	FINISH
AE-WP-MS ERALUX Massino Series outdoor wall pack light fixture	-020 20 Watts: 2,800 lumens	L 120-277Vac input voltage range	-D 0-10V external dimming down to 10%	-BZ Bronze powder coat finish
	-040 40 Watts: 5,600 lumens			-40 4000K CCT
	-060 60 Watts: 8,400 lumens			-BK Black powder coat finish
	-080 80 Watts: 11,200 lumens	M 120-347Vac input voltage range	-P Photocontrol CCT	-WH ERALUX nebula white powder coat finish
	-100 100 Watts: 14,000 lumens			-50 5000K CCT
	-120 120 Watts: 16,800 lumens			-AL Aluminum powder coat finish

MASSINO

DIMENSIONS



MODERN DESIGNS AND TECHNOLOGY

Available in a variety of shapes, and sizes, track lights are a perfect way to distinguish any architectural elements or even bring light to a darker segment of the room.

Tracklights are designed to offer flexibility in selecting key features and made to create focal points with a retail shelf or an art piece. A perfect combination with current track systems, the track heads can be repositioned and relocated throughout the entire track. Using modern LED technology, With so many variations offered, tracklights has the potential to fill whatever lighting needs you require. Available in a variety of shapes, and sizes and are a perfect way to distinguish any architectural elements or even bring light to a darker segment of the room.





The linear wallwash, the APOLLO track fixture is available in 1ft or 2ft at 120Vac. The APOLLO runs at 30Watts and 2250 lumens, or 60 watts and 5100 lumens. The fixture is offered at 3 CCT: 3000K, 3500K, and 4000K. The APOLLO offers a variety of adapter options, APOLLO can adapt to your pre-existing track system, or to a new ERALUX track system. The fixture's controls include triac dimming.

OPERATIONS & ELECTRICAL

Input Voltage : 120Vac
 Dimming : Triac dimming
 Lumens per Watt : 82-90 LPW at 90CRI
 Distribution : Linear flood wall wash

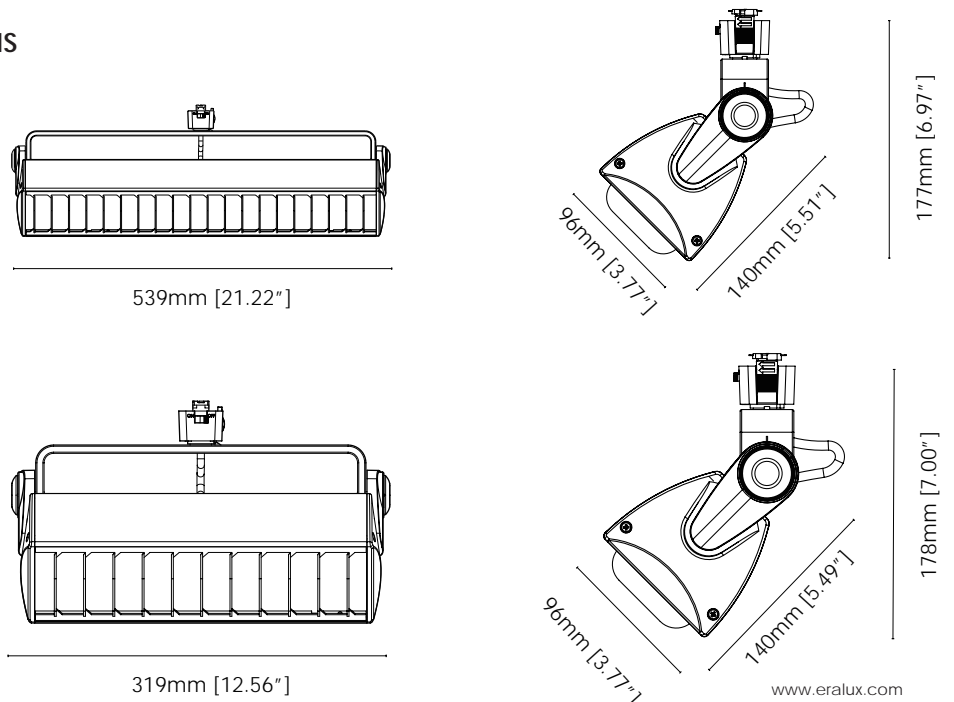
ORDERING GUIDE

Ordering code example: AE-TL-AP1FT12FLP30J1BK

APOLLO

FIXTURE FAMILY	LENGTH	VOLTAGE	DISTRIBUTION	CRI	CCT	ADAPTER	FINISH
AE-TL-AP ERALUX Apollo Series linear wall wash track light	1FT 1-foot linear fixture	12 120V	FL Flood light wall wash distribution 30 watts: 2250 lumens at 90CRI 3000K	P Premium 90 CRI	27 2700K CCT	J1 Juno mounting system	BK Black powder coat finish WH White powder coat finish SV Silver powder coat finish
	2FT 2-foot linear fixture		FL Flood light wall wash distribution 60 watts: 5100 lumens at 90CRI 3000K		30 3000K CCT	G1 Global mounting system	
					35 3500K CCT	H1 Halo mounting system	
					40 4000K CCT	L1 Lightolier mounting system	

DIMENSIONS





The track fixture with variable distribution from 20-degrees to 50-degrees, the ARTEMIS is available runs at 120Vac. The fixture is offered at 3 different CCT's: 3000K, 3500K, and 4000K. The APOLLO offers a variety of adapter options, APOLLO can adapt to your pre-existing track system, or to a new ERALUX track system. The fixture's controls include triac dimming.

OPERATIONS & ELECTRICAL

Input Voltage : 120Vac

Dimming : Triac dimming

Lumens per Watt : 62-69 LPW at 90CRI

Distribution : Variable beam angle from 20° to 50°

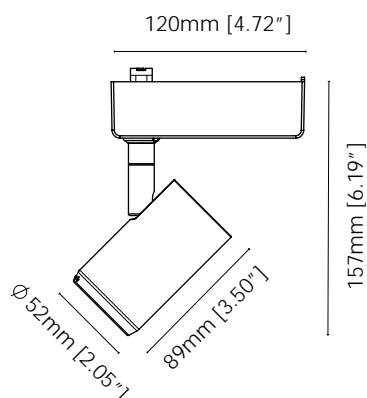
ORDERING GUIDE

Ordering code example: AE-TL-AT12VAP30J1BK

ARTEMIS

FIXTURE FAMILY	VOLTAGE	DISTRIBUTION	CRI	CCT	ADAPTER	FINISH
AE-TL-AT ERALUX Artemis Series track light	12 120Vac	VA Variable distribution from 20° to 50°	P Premium 90 CRI	27 2700K CCT	J1 Juno mounting system	BK Black powder coat finish
			S*	30 3000K CCT	G1 Global mounting system	WH White powder coat finish
			S*	35 3500K CCT	H1 Halo mounting system	
			S*	40 4000K CCT	L1 Lightolier mounting system	SV Silver powder coat finish

DIMENSIONS





The classic cylinders at ERALUX the CHANDRA SERIES features CHANDRA BASIC, CHANDRA MAX, and CHANDRA MINI. The sleek look, combined with a variety of optical options, and a series of accessories to adapt to every possible scenario. It comes available in a variety of beam pattern and CCT option. The CHANDRA SERIES offers a variety of adapter options, it can adapt to your pre-existing track system, or to a new ERALUX track system.

OPERATIONS & ELECTRICAL

Input Voltage : 120Vac

Dimming : Triac dimming, No dimming

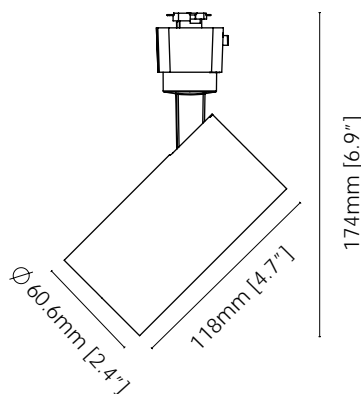
Lumens per Watt : 79, 86, 91, 100 LPW at 90CRI

ORDERING GUIDE

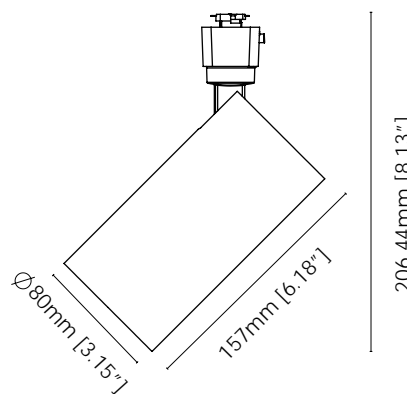
Ordering code example: AE TL CD12NFP30J1BK

FIXTURE FAMILY	WATTAGE	DISTRIBUTION	CRI	CCT	ADAPTER	FINISH
AE-TL-CDM-12 ERALUX CHANDRA MINI track light 120Vac	L 9 watts: 765 lumens at 90CRI 3000K H 13.4 watts: 1059 lumens at 90CRI 3000K	NF 20° Narrow Flood light distribution FL 25° Flood light distribution		27 2700K CCT	J1 Juno mounting system	BK Black powder coat finish
AE-TL-CD ERALUX CHANDRA BASIC ECO Series track light	12 120Vac	WF 38° Wide Flood light distribution	N 80 CRI	30 3000K CCT	G1 Global mounting system	WH White powder coat finish
AE-TL-CDX-12 ERALUX CHANDRA MAX track light 120V 277V	-XXW Wattage selectable: 19 watts: 1634 lumens; 27 watts: 2322 lumens; 41 watts: 3526 lumens at 90CRI 3000K	VF 40° Very Wide Flood light distribu- tion	P Premium 90 CRI	35 3500K CCT 40 4000K CCT	H1 Halo mounting system L1 Lightolier mounting system	SV Silver powder coat finish

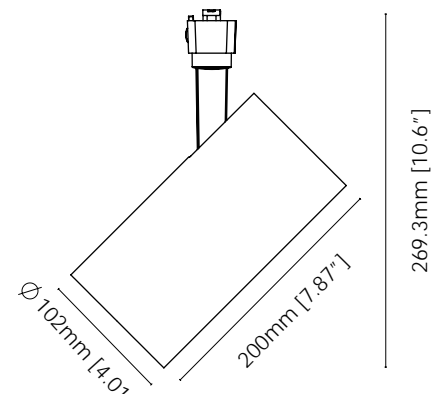
CHANDRA SERIES



CHANDRA MINI



CHANDRA BASIC



CHANDRA MAX

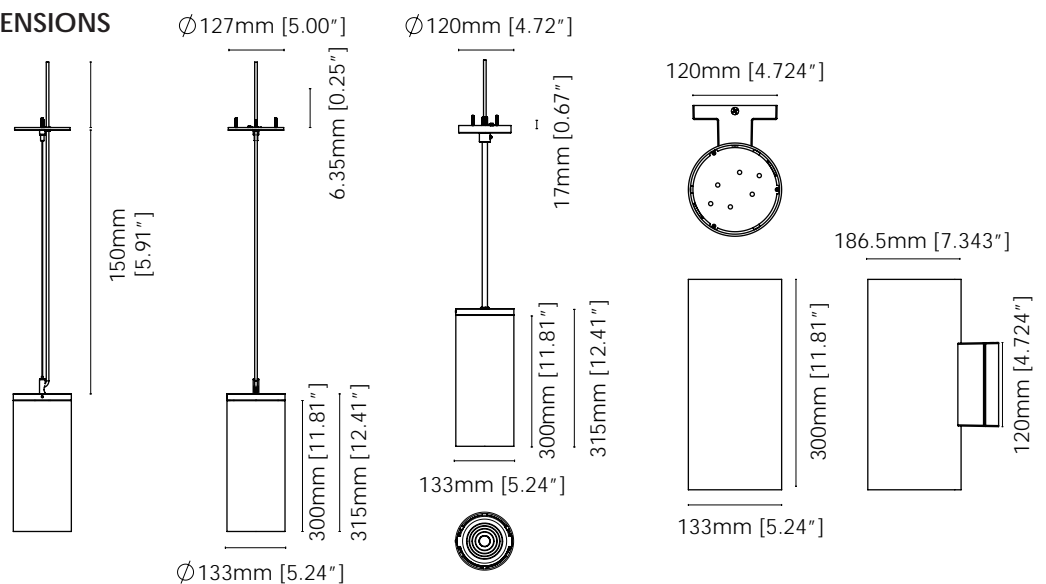


A simple and elegant indoor pendant with infinite potential, the ELEGANZA is available as a 12" fixture at 20 watts and 1900 lumens. Available in 4 beam angles, 15-degrees, 30-degrees, 40-degrees. The fixture is offered at 3 different CCT's: 3000K, 3500K, and 4000K. ELEGANZA allows for stem, surface, cable, and pendant mounting options. Build the fixture to your liking, then mix and match to fit every setting.

OPERATIONS & ELECTRICAL

Input Voltage: 120 277Vac
 Dimming: 0-10V dimming down to 10%
 Lumens per Watt: 95 LPW at 90CRI

DIMENSIONS



ELEGANZA

ORDERING GUIDE

Ordering code example: AE-TL-EZ-40R12-SF-00-20-C3030-P-T-WH

FIXTURE FAMILY	PRODUCT CODE	HEIGHT	MOUNTING METHOD	POWER	CCT	BEAM ANGLE	CRI	FINISH*
AE-TL-EZ ERALUX Eleganza indoor cylindrical pendant fixture	-40R	12 12" fixture height	-SF-00 Surface mounted fixture mounting method	-20 20 watts: 1,900 lumens at 90CRI 3000K	-C30 3000K CCT	15 15° beam angle	-P-T Premium 90 CRI	-WH White powder coat finish
			-WM-00 Wall mount fixture mounting method		-C35 3500K CCT	30 30° beam angle		-BK Black powder coat finish
			-PC Cable mount fixture mounting method, cable length [-03 3' cable / -06 6' cable / -09 9' cable / -12 12' cable]	-28 28 watts: 2,400 lumens at 90CRI 3000K	-C40 4000K CCT	40 40° beam angle		-SV Silver powder coat finish
			-SM Stem mount fixture mounting method, stem length [-01 1' stem / -02 2' stem / -03 3' stem / -04 4' stem]			55 55° beam angle		-RALXXXX Customized finish

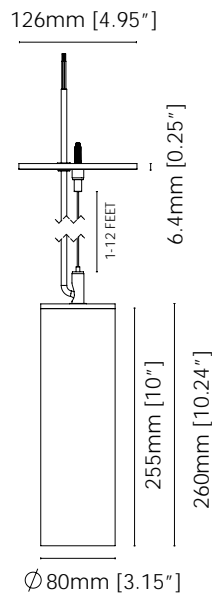


The beloved ELEGANZA made slim, ELEGANZA SLIM is a continuation of the ELEGANZA cylinder family. Available in 10.91" height, and 10 watts with 800 lumens. The fixture is offered at 3 different CCT's: 3000K, 3500K, and 4000K. Available in 4 beam angles, 15-degrees, 30-degrees, 40-degrees, or 55-degrees. Build the fixture to your liking, then mix and match to fit every setting.

OPERATIONS & ELECTRICAL

Input Voltage: 120 277 Vac
 Dimming: TRIAC 0-10 V dimming
 Lumens per Watt: 80 85 LPW at 90 CRI

DIMENSIONS



ELEGANZA SLIM

ORDERING GUIDE

Ordering code example: AE-TL-EZS10-SF-10-P30FL-WH

FIXTURE FAMILY	HEIGHT	MOUNTING METHOD	POWER	CCT	BEAM ANGLE	FINISH*
AE-TL-EZS ERALUX Eleganza Slim indoor cylindrical pendant fixture	10 10.91" fixture height	-SF Surface mounted fixture mounting method	-10 10 watts: 800 lumens at 90CRI 3000K	-P30 3000K CCT 90 CRI	SP 15° beam angle	-WH White powder coat finish
		-PC Cable mount fixture mounting method, cable length [-03 3' cable / -06 6' cable / -09 9' cable / -12 12' cable]	-15 15 watts: 1200 lumens at 90CRI 3000K	-P35 3500K CCT 90 CRI	NF 24° 24 beam angle	-BK Black powder coat finish
		-SM Stem mount fix- ture mounting method, stem length [-01 1' stem / -02 2' stem / -03 3' stem / -04 4' stem]	-15 15 watts: 1200 lumens at 90CRI 3000K	-P40 4000K CC 90 CRI	FL 40° beam angle	-SV Silver powder coat finish
					WF 60° beam angle	-RALXXXX* Customized finish



The tracklight with a vertical driver enclosure, and a semi-exposed heatsink, the EUCLID is available at 4 different power options: 14 watts with 1220 lumens, 17 watts with 1680 lumens, 25 watts with 2210 lumens, and 45 watts with 4320 lumens. Offered at 3 different CCT's: 3000K, 3500K, and 4000K. The EUCLID offers a variety of adapter options, it can adapt to your pre-existing track system, or to a new ERALUX track system.

OPERATIONS & ELECTRICAL

Input Voltage: 120Vac
 Dimming: Triac dimming
 Lumens per Watt: 78 94 LPW at 90CRI
 Distribution: Narrow flood, flood, wide flood

ORDERING GUIDE

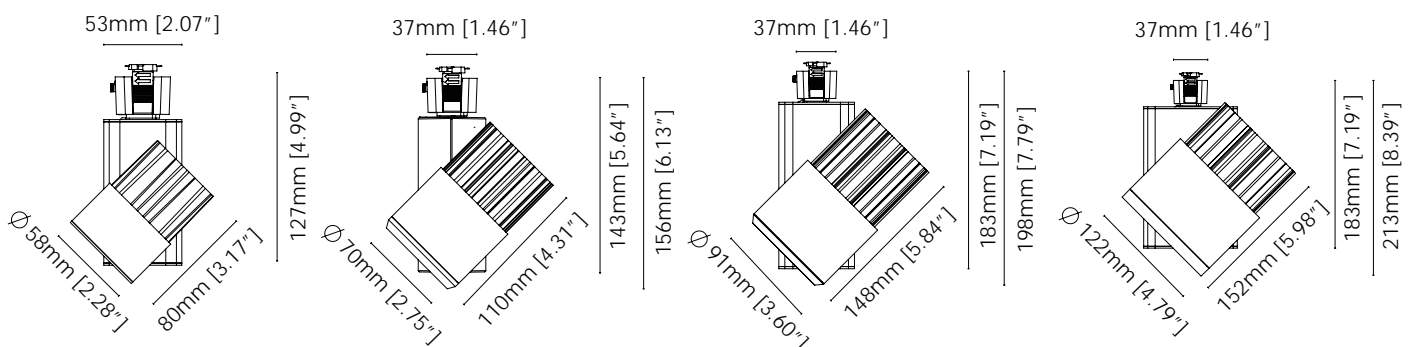
Ordering code example: AE-TL-EL1412NFP30J1BK

EUCLID

FIXTURE FAMILY	LUMEN	VOLTAGE	DISTRIBUTION	CRI	CCT	ADAPTER	FINISH
AE-TL-EL ERALUX Euclid Series track light	14 14 watts: 1220 lumens at 90CRI 3000K	12 120Vac	FL Flood light distribution	P Premium 90 CRI	27 2700K CCT	J1 Juno mounting system	BK Black powder coat finish
	17 17 watts: 1680 lumens at 90CRI 3000K		WF Wide Flood light distribution	S* Superior HIGH GAI (Available only at 3000K & 3500K)	30 3000K CCT	G1 Global mounting system	WH White powder coat finish
	25 25 watts: 2210 lumens at 90CRI 3000K		VF Very wide flood distribution		35 3500K CCT	H1 Halo mounting system	SV Silver powder coat finish
	45* 45 watts: 4320 lumens at 90CRI 3000K				40 4000K CCT	L1 Lightolier mounting system	

*AE-TL-EL45 not available in High GAI

DIMENSIONS





Adjust the beam angle without any tools, the HUBBLE tracklight is available at 120Vac. The fixture is offered at 3 different CCT's: 3000K, 3500K, and 4000K. The track fixture has variable distribution from 20-degrees to 55-degrees. The HUBBLE offers a variety of adapter options, it can adapt to your pre-existing track system, or to a new ERALUX track system.

OPERATIONS & ELECTRICAL

Input Voltage: 120Vac
 Dimming: Triac dimming
 Lumens per Watt: 72-80 LPW at 90CRI
 Distribution: Narrow flood, flood, wide flood

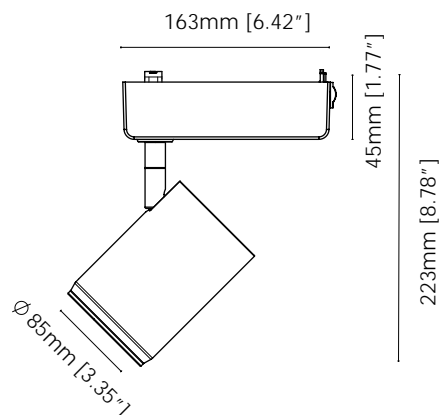
ORDERING GUIDE

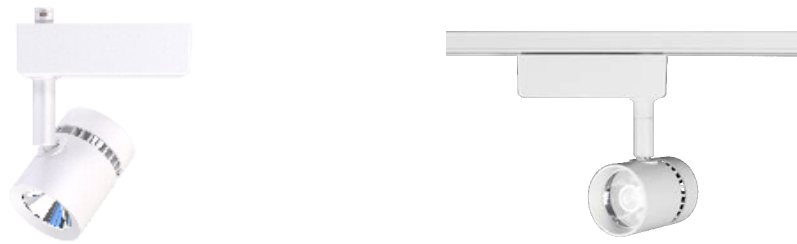
Ordering code example: AE-TL-HB12VAP30J1BK

HUBBLE

FIXTURE FAMILY	VOLTAGE	DISTRIBUTION	CRI	CCT	ADAPTER	FINISH
AE-TL-HB ERALUX Hubble Series track light	12 120Vac	VA Variable distribution from 20 to 55°	P Premium 90 CRI	27 2700K CCT	J1 Juno mounting system	BK Black powder coat finish
				30 3000K CCT	G1 Global mounting system	WH White powder coat finish
				35 3500K CCT	H1 Halo mounting system	SV Silver powder coat finish
				40 4000K CCT	L1 Lightolier mounting system	

DIMENSIONS





Separated driver with a semi-exposed heat sink and 4 distributions, the IRIS tracklight is available at 120Vac. Available in the distributions, narrow flood, flood light, wide flood light, and very wide flood distributions. The fixture is offered at 3 different CCT's: 3000K, 3500K, and 4000K. The IRIS offers a variety of adapter options, it can adapt to your pre-existing track system, or to a new ERALUX track system.

OPERATIONS & ELECTRICAL

Input Voltage: 120Vac
 Dimming: Triac dimming
 Lumens per Watt: 88-98 LPW at 90CRI
 Distribution: Narrow flood, flood, wide flood

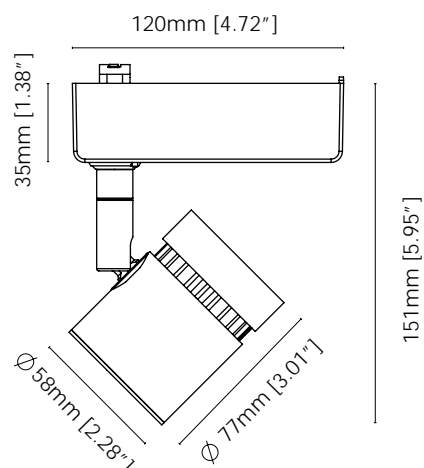
ORDERING GUIDE

Ordering code example: AE-TL-IR12PF14N30J1BK

IRIS

FIXTURE FAMILY	VOLTAGE	DISTRIBUTION	CRI	CCT	ADAPTER	FINISH
AE-TL-IR ERALUX Iris Series track light	12 120Vac	NF Narrow Flood light distribution			J1 Juno mounting system	
		FL Flood light distribution	P Premium 90 CRI	27 2700K CCT	G1 Global mounting system	BK Black powder coat finish
		WF Wide Flood light distribution	S* Superior HIGH GAI (Available only at 3000K & 3500K)	30 3000K CCT	H1 Halo mounting system	WH White powder
		VF Very wide flood distribution		35 3500K CCT		SV Silver powder coat finish
				40 4000K CCT	L1 Lightolier mounting system	

DIMENSIONS





The modern take on a cylindrical tracklight fixture, the KEPLER SERIES features KEPLER AND KEPLER PLUS. Available in the distributions flood light, wide flood light, and very wide flood distributions. The KEPLER SERIES offers a variety of adapter options, it can adapt to your pre-existing track system, or to a new ERALUX track system. Available in White, Black, and Silver, the Kepler is an easy addition to your next project.

OPERATIONS & ELECTRICAL

Input Voltage : 120 V
 Dimming : Triac dimming
 Lumens per Watt : 78 83 LPW at 90 CRI

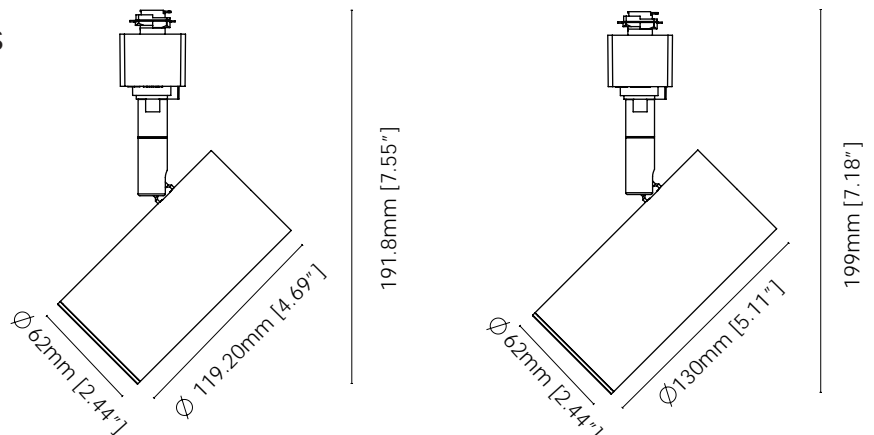
ORDERING GUIDE

Ordering code example: AE-TL-KPP12 NFP 30 J 1 BK

KEPLER KEPLER PLUS

FIXTURE FAMILY	DISTRIBUTION	CRI	CCT	ADAPTER	FINISH
AE-TL-KP-12 ERALUX KEPLER Series track light 120Vac	FL Flood light distribution: 25° 10 watts: 750 lumens at 90CRI 3000K	P Premium 90 CRI	27 2700K CCT	J1 Juno mounting system	BK Black powder coat finish
	WF Wide Flood light distribution: 35° 10 watts: 750 lumens at 90CRI 3000K			H1 Halo mounting system	
	VF Very Wide Flood light distribution: 55° 10 watts: 750 lumens at 90CRI 3000K			L1 Lightolier mounting system	
AE-TL- KPP-12 ERALUX Kepler Plus Series track light 120Vac	NF Narrow Flood light distribution 25° 13.5W: 1,053 lumens at 90CRI 3000K		30 3000K CCT	WH White powder coat finish	
	FL Flood light distribution 35° 13.5 watts: 1,053 lumens at 90CRI 3000K		35 3500K CCT	L1 Lightolier mounting system	SV Silver powder coat finish
	WF Wide Flood light distribution 55° 13.5 watts: 1,053 lumens at 90CRI 3000K		40 4000K CCT	G1 Global mounting system	

DIMENSIONS



KEPLER

KEPLER PLUS

www.eralux.com



MAVEN series features MAVEN, MAVEN CANOPY, and MAVEN ELITE. Available in various CCT, and adapter options, the MAVEN series can mount to pre-existing tracks, or paired with other ERALUX accessories to build a new track system. MAVEN series provides an even distribution at various beam angles. The LED head is adjustable for a 355-degree rotation, and able to bend up to 90 degrees for a wide range in motion.

OPERATIONS & ELECTRICAL

Input Voltage : 120-347Vac

Dimming : 1-10V external dimming down to 10%

Lumens per Watt : 125 LPW at 80CRI

ORDERING GUIDE

Ordering code example: AE-TL-MV-12-FLP30J1BK

MAVEN

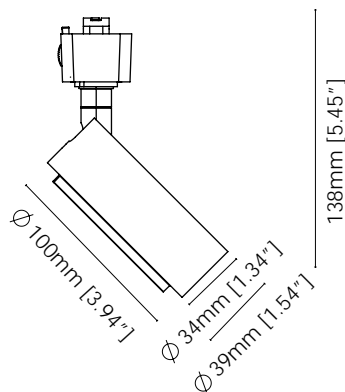
MAVEN CANOPY

MAVEN ELITE

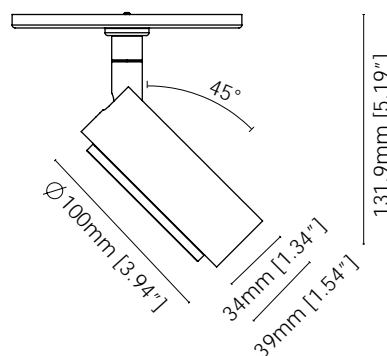
FIXTURE FAMILY	VOLTAGE	DISTRIBUTION	CRI	CCT	ADAPTER	FINISH
AE-TL-MV ERALUX MAVEN Series track light		-NF Narrow Flood distribution: 25°			J1 Juno mounting system	BK Black powder coat finish
AE-TL-MVC ERALUX Maven Surface mount canopy light	12 120Vac	-FL Flood light distribution: 40°	P Premium 90 CRI	27 2700K CCT	G1 Global mounting system	WH White powder coat finish
AE-TL-MVE ERALUX MAVEN ELITE track light		-WF Wide Flood light distribution: 65°		30 3000K CCT	H1 Halo mounting system	SV Silver powder coat finish
				35 3500K CCT	L1 Lightolier mounting system	
				40 4000K CCT		

*Canopy does not have an ADAPTER

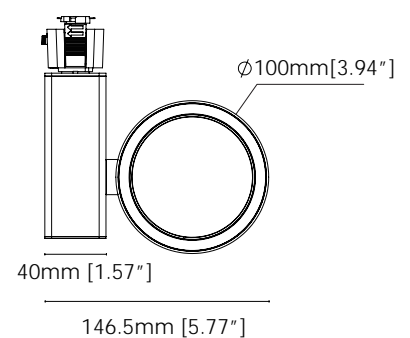
DIMENSIONS



MAVEN



MAVEN CANOPY



ELITE



A new take on a heatsink, the NuSTAR has an integrated driver enclosure and is available at 2 powers: 13.5 Watts with 1148 lumens, and 29 Watts with 2407 lumens. Available in the distributions: narrow flood, flood light, wide flood light, and very wide flood distributions. The fixture is offered at 3 different CCT's: 3000K, 3500K, and 4000K. The KEPLER SERIES offers a variety of adapter options, it can adapt to your pre-existing track system, or to a new ERALUX track system.

OPERATIONS & ELECTRICAL

Input Voltage: 120Vac
 Dimming: Triac dimming
 Lumens per Watt: 83 92 LPW at 90CRI
 Distribution: Narrow flood, flood, wide flood

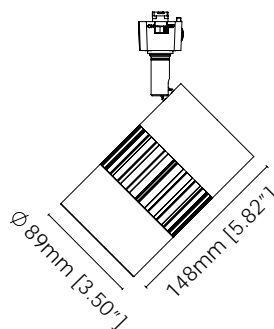
ORDERING GUIDE

Ordering code example: AE-TL NS1412NFP30J1BK

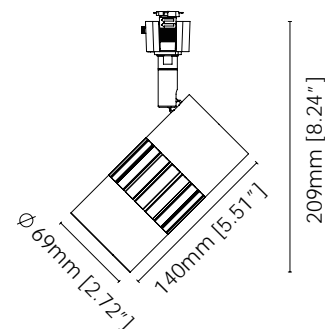
NUSTAR

FIXTURE FAMILY	LUMEN	VOLTAGE	DISTRIBUTION	CRI	CCT	ADAPTER	FINISH
AE-TL-NS ERALUX NuSTAR Series track light	14 13.5 watts: 1148 lumens at 90CRI 3000K	12 120Vac	NF Narrow Flood light distribution	P Premium 90 CRI	27 2700K CCT	J1 Juno mounting system	BK Black powder coat finish
			FL Flood light distribution	S* Superior HIGH	30 3000K CCT	G1 Global mounting system	WH White powder coat finish
	31 29 watts: 2407 lumens at 90CRI 3000K		WF Wide Flood light distribution	GAI (Available only at 3000K & 3500K)	35 3500K CCT	H1 Halo mounting system	SV Silver powder coat finish
			VF Very wide flood distribution		40 4000K CCT	L1 Lightolier mounting system	

DIMENSIONS



AE-TL-NS31



AE-TL-NS14



The wall-wash track fixture with high precision die-cast finish, the ODYSSEY is available at 120Vac. The fixture is offered at 3 different CCT's: 3000K, 3500K, and 4000K. ODYSSEY offers a variety of adapter options, it can adapt to your pre-existing track system, or to a new ERALUX track system. This product also features a unique spring mechanism around its joints, providing peace of mind with regards to aiming of the beam angle.

OPERATIONS & ELECTRICAL

Input Voltage: 120Vac

Dimming : Triac dimming

Lumens per Watt: 86 95 100 LPW at 90CRI

Distribution: Linear wall wash beam distribution

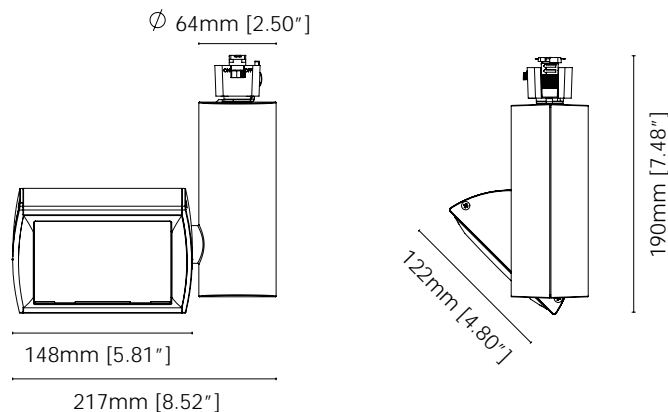
ORDERING GUIDE

Ordering code example: AE-TL0D12WWP30J1BK

ODYSSEY

FIXTURE FAMILY	VOLTAGE	DISTRIBUTION	CRI	CCT	ADAPTER	FINISH
AE TL OD ERALUX Odyssey Series track light	12 120Vac	WW Wall Wash light distribution	P Premium 90 CRI	27 2700K CCT	G1 Global mounting system	BK Black powder coat finish
			S* Superior HIGH GAI (Available only at 3000K & 3500K)	30 3000K CCT		
			35 3500K CCT	H1 Halo mounting system		
				40 4000K CCT	L1 Lightolier mounting system	SV Silver powder coat finish

DIMENSIONS





Versatility in power, the OSIRIS is available in 3 different wattage options: 20 Watts with 1590 lumens, 27 Watts with 2100 lumens, and 51 watts with 4430 lumens. Available in the distributions: narrow flood, flood light, and wide flood light. OSIRIS offers a variety of adapter options, it can adapt to your pre-existing track system, or to a new ERALUX track system.

OPERATIONS & ELECTRICAL

Input Voltage: 120Vac
 Dimming: Triac dimming
 Lumens per Watt: 75-92 LPW at 90CRI
 Distribution: Narrow flood, flood, wide flood

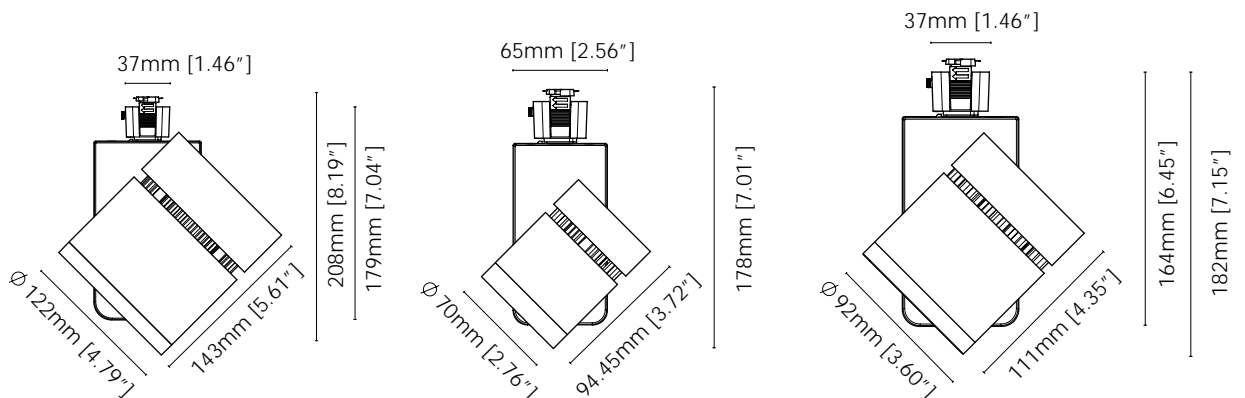
ORDERING GUIDE

Ordering code example: AE-TL-OS1312FL30J1BK

OSIRIS

FIXTURE FAMILY	LUMEN	VOLTAGE	DISTRIBUTION	CRI	CCT	ADAPTER	FINISH			
AE-TL-OS ERALUX Osiris Series track light	13 20 watts: 1590 lumens	12 120Vac input voltage	NF Narrow flood light distribution	P Premium 90 CRI	27 2700K CCT 30 3000K CCT	J1 Juno mounting system	BK Black powder coat finish WH White powder coat finish			
	29 20 watts: 1590 lumens		FL Flood light distribution			S* Superior HIGH GAI		35 3500K CCT 40 4000K CCT	G1 Global mounting system	H1 Halo mounting system
	43 51 watts: 4430 lumens		WF Wide flood light distribution			L1 Lightolier mounting system		SV Silver powder coat finish		

DIMENSIONS



AE-TL-OS43

AE-TL-OS13

AE-TL-OS29 www.eralux.com



The cost-effective option for tracklights, the PIVOT SERIES was designed to make the budget while still being a great performing fixture. Simple in shape, and available in a black, white, or silver finish. Available in the distributions: flood light, and wide flood light. The PIVOT SERIES offers a variety of adapter options, it can adapt to your pre-existing track system, or to a new ERALUX track system.

OPERATIONS & ELECTRICAL

Input Voltage : 120 V

Dimming : N/A

Lumens per Watt : 70 75 LPW at 90 CRI

ORDERING GUIDE

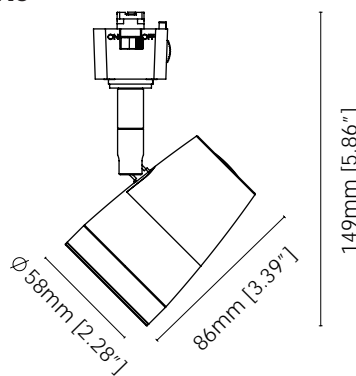
Ordering code example:AE-TL-PVC1012FLP30BK

FIXTURE FAMILY	LUMEN	VOLTAGE	DISTRIBUTION	CRI	CCT	ADAPTER	FINISH
AE-TL-PV ERALUX PIVOT Series Surface mount light	11 11 watts: 850 lumens	12 120Vac	FL Flood light distribution 35°	P Premium 90 CRI	27 2700K CCT	J1 Juno mounting system	BK Black powder coat finish
			WF Wide Flood light distribution 55°				
AE-TL-PVC ERALUX PIVOT CANOPY Series Surface mount light	10 10 watts: 750 lumens	12 120Vac	SP Spot Light distribution 20°	P Premium 90 CRI	30 3000K CCT	G1 Global mounting system	WH White powder coat finish
			NF Narrow Light distribution 25°				
			FL Flood light distribution 35°		35 3500K CCT	H1 Halo mounting system	SV Silver powder coat finish
			WF Wide Flood light distribution 55°		40 4000K CCT	L1 Lightolier mounting system	SV Silver powder coat finish

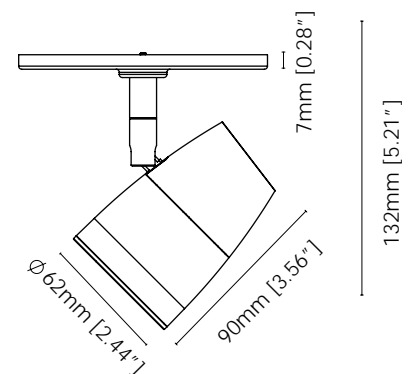
PIVOT PIVOT CANOPY

*Canopy does not have an ADAPTER

DIMENSIONS



PIVOT



PIVOT CANOPY



The invisible heat sink, ROSETTA is available at 9 Watts with 690 lumens, and 14 Watts with 1050 lumens. The fixture is offered at 3 different CCT's: 3000K, 3500K, and 4000K. Available in the distributions: narrow flood, flood light, and wide flood light. ROSETTA offers a variety of adapter options, it can adapt to your pre-existing track system, or to a new ERALUX track system.

OPERATIONS & ELECTRICAL

Input Voltage: 120Vac
 Dimming: Triac dimming
 Lumens per Watt: 72 85 LPW at 90CRI
 Distribution: Narrow flood, flood, wide flood

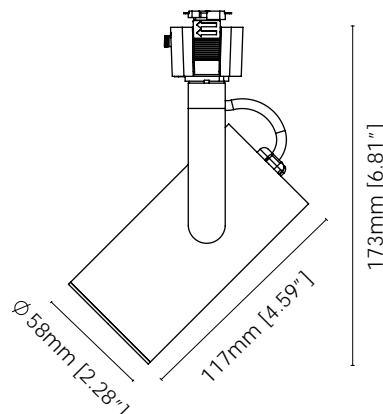
ORDERING GUIDE

Ordering code example: AE-TL-RS0912PPF30J1BK

ROSETTA

FIXTURE FAMILY	LUMEN	VOLTAGE	DISTRIBUTION	CRI	CCT	ADAPTER	FINISH
AE-TL-RS ERALUX Rosetta Series track light	09 9 watts: 690 lumens	12 120Vac	NF Narrow Flood light distribution	P Premium 90 CRI	27 2700K CCT	J1 Juno mounting system	BK Black powder coat finish
	11 14 watts: 1050 lumens		FL Flood light distribution		30 3000K CCT	G1 Global mounting system	WH White powder coat finish
			WF Wide Flood light distribution		35 3500K CCT	H1 Halo mounting system	SV Silver powder coat finish
					40 4000K CCT	L1 Lightolier mounting system	

DIMENSIONS





Equipped with a power supply, the TERRA wall wash series is capable of more than other track lights. TERRA SERIES comes with a programmable driver, smart controls capabilities, and is dimmer compatible. The TERRA is made for the track system with a variety of adapter options. The LED head can lock into place at various angles, you can choose a straight downlight or a perpendicular light to the wall. Terra series comes with tri-mode dimming (Triac, ELV, 0-10V), no flickering and capable of dimming down to 1%.

OPERATIONS & ELECTRICAL

Input Voltage : 120 277 V

Dimming : Tri mode dimming Triac, ELV, 0 10 V

Lumens per Watt : 62 67 LPW at 90 CRI

Distribution : Double Asymmetrical, 26

ORDERING GUIDE

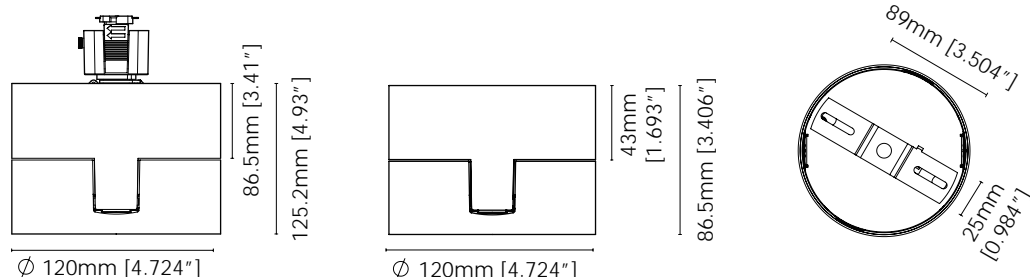
Ordering code example: AE-TL-TRCUVDAP30BK

TERRA TERRA CANOPY

FIXTURE FAMILY	VOLTAGE	DISTRIBUTION	CRI	CCT	ADAPTER(TERRA)	FINISH
AE-TL-TR ERALUX TERRA Wall wash track light	UV 120- 277V	DA 25 watts: 1560 lumens at 3000K Double	P Premium 90 CRI	27 2700K CCT 30 3000K CCT 35 3500K CCT 40 4000K CCT	J1 Juno mounting system G1 Global mounting system H1 Halo mounting system L1 Lightolier mounting system	BK Black powder coat finish WH White powder coat finish SV Silver powder coat finish
AE-TL-TRC ERALUX TERRA Canopy light		Asymmetrical, 26°				

*Canopy does not have an ADAPTER

DIMENSIONS



ORDERING GUIDE

Ordering code example: AE-LSL-320W-UV-SP-D

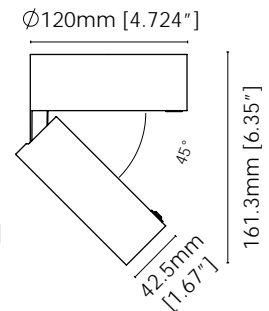
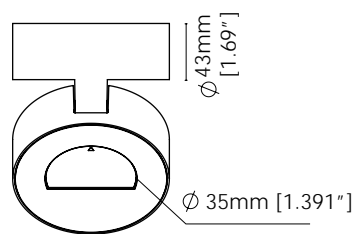
TERRA CRESCENT

TERRA CRESCENT CANOPY

FIXTURE FAMILY	VOLTAGE	DISTRIBUTION	CRI	CCT	ADAPTER(TERRA)	FINISH
AE-TL-TR ERALUX TERRA track light	UV 120-277V	SA 25 watts: 1560 lumens at 3000K Single Asymmetrical (Tilt 45°) Beam Angle 30°x35°	P Premium 90 CRI	27 2700K CCT	J1 Juno mounting system	BK Black powder coat finish
AE-TL-TRC ERALUX TERRA Surface mount Canopy light				30 3000K CCT	G1 Global mounting system	WH White powder coat finish
				35 3500K CCT	H1 Halo mounting system	SV Silver powder coat finish
				40 4000K CCT	L1 Lightolier mounting system	

*Canopy does not have an ADAPTER

DIMENSIONS



ORDERING GUIDE

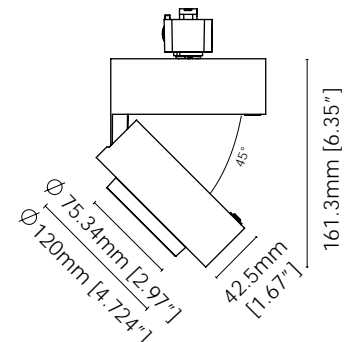
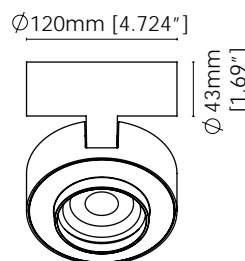
TERRA SOLAR

TERRA SOLAR CANOPY

FIXTURE FAMILY	WATTAGE	VOLTAGE	DISTRIBUTION	CRI	CCT	ADAPTER(TERRA)	FINISH
AE-TL-TR ERALUX TERRA Wall wash track light	-30 30 watts: 1620 lumens at 3000K;	-UV 120- 277V	NF Narrow flood light distribution 20°	P Premium 90 CRI	30 3000K CCT	J1 Juno mounting system	BK Black powder coat finish
AE-TL-TRC ERALUX TERRA Canopy light			FL Flood light distribution 25°		35 3500K CCT	G1 Global mounting system	WH White powder coat finish
	1740 lumens at 4000K		WF Wide flood light distribution 35°		40 4000K CCT	H1 Halo mounting system	SV Silver powder coat finish
			VF Very wide flood light distribution 50°			L1 Lightolier mounting system	

*Canopy does not have an ADAPTER

DIMENSIONS





T1



T2

Track 1 (T1) is compatible with Juno single circuit adapters and Track 2 (T2) is compatible with Juno two circuit adapters. The track/power distribution system is suitable for retail, commercial and residential use. Ships with one T0009 and (end cap) installed. Extruded aluminum "1" beam. Thermoplastic insulator. Two #12 AWG solid copper conductors.

OPERATIONS & ELECTRICAL

120V 50/60Hz 20A max
cULus Listed

ORDERING GUIDE

Add SUFFIX -XXX to the part number for color indication Ordering code example: T1-2-BK

	PART NO.	LENGTH	FINISH
	T1-2/T2-2	2' [512mm, 20.16"]	
T1	T1-4/T2-4	4' [1122mm, 44.17"]	BK- black
T2	T1-6/T2-6	6' [1732mm, 68.19"]	WHT- white
	T1-8/T2-8	8' [2341mm, 92.17"]	SV- Silver

TRACK SYSTEM
T1
T2

T1 Connectors



Mini I Connector
T10001



T Connector
T10002



L Connector
T10003



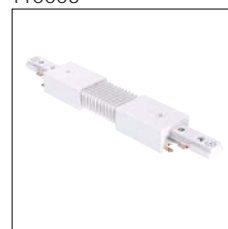
X Connector
T10004



Floating Canopy
T10005



Conduit End Feed
T10006



Flexible Connector
T10007



End fit Kit with cover
T10008



End Cap
T100009



Pendant Luminaire
Adapter, chain
T10010



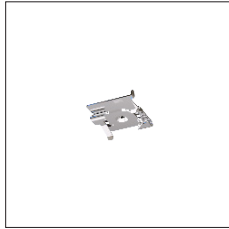
Pendant Luminaire
Adapter, cord
T10011



T-Bar Connector
T10012



T-Bar End Feed
T10013



Mounting Clip
T10014



Top Access End Feed
T10015



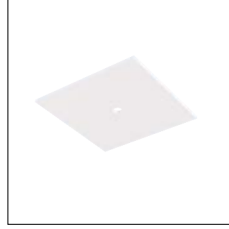
Line Voltage
Mono-Point Adapter
T10016



Duo-Point Adapters
T10017



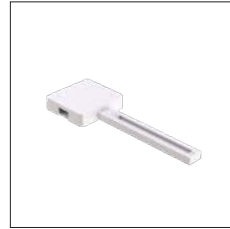
Line Voltage Sloped
Ceiling Adapter
T10018



Cover Plate
T10020



Single Circuit End
Feed
T10021



Single Circuit
End Feed + 1' Track
T10022



Single Circuit
In-Line Feed
T10023



Single Circuit In-Line
Feed + 1' Track
T10024



Thin Single Circuit End
Feed with 1' Track
T10025



Thin Single Circuit End
Feed
T10026



Suspension canopy
T10027



48 inch STEM
TS48-WHT, TS48-BLK



36 inch STEM
TS36-WHT, TS36-BLK



24 inch STEM
TS24-WHT, TS24-BLK



12 inch STEM
TS12-WHT, TS12-BLK



6 inch STEM
TS6-WHT, TS6-BLK



Swivel Stem Kit for
sloped ceiling
T10028

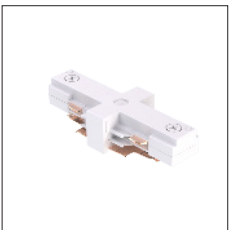


Suspension Stem
Coupling
T10029

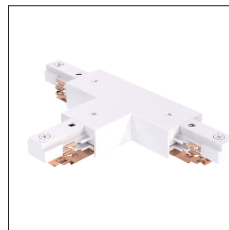


Wireway Cover for
suspension
T10030

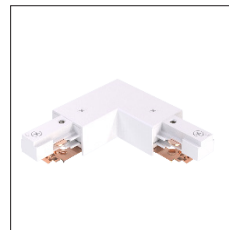
T2 Connectors



Mini I Connector
T20001



T Connector
T20002
T2000



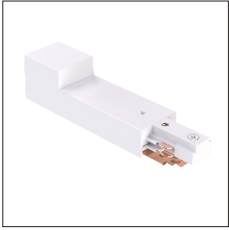
L Connector
T20003



X Connector
T20004



Floating Canopy
T20005



Conduit End Feed
T20006
T20006R(Reverse)



Conduit End Feed
T20007



END FEED KIT +
COVER T20008
T20008R(Reverse)



End Cap
T20009



T-Bar
Connector
T20012



T-Bar End Feed
T20013



Top Access End Feed
T20015
T20015R(Reverse)



Two Circuit End
Feed
T20021



Two Circuit End
Feed + 1' Track
T20022



Two Circuit In-Line
Feed + 1' Track
T20023



Two Circuit
In-Line Feed+ 1' Track
T20024

THE RELIABLE BACKUP PLAN FOR LIGHTING.

Making way for a safer environment for all.

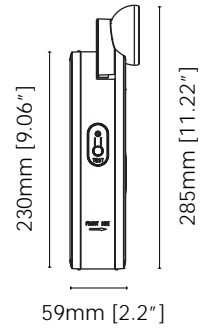
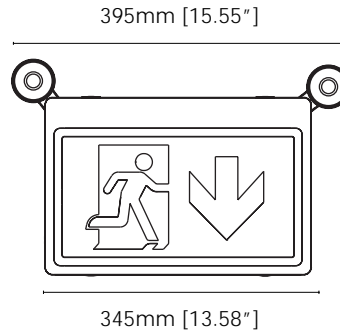
Emergency lights using modern LED lights. Variety of metal or thermoplastic housing that can be mounted on the wall, the ceiling or by side installation. Many of ERALUX's durable emergency lights allows for people to customize their product by easily interchanging pictograms on site at any time. Increases the safety of your workspace by providing an exit light, or emergency back up when things go wrong.



BY-F2230CA



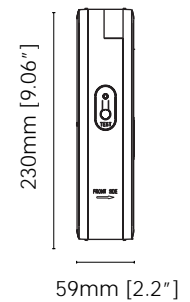
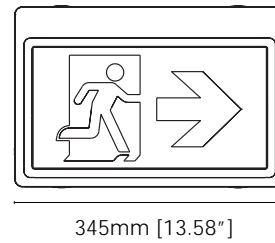
Input Voltage : 120-347Vac
 CCT : 5700-7200K
 Power consumption : 3W
 Emergency Duration :
 ≥2 Hours



BY-F2231CA



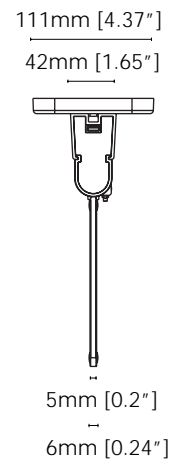
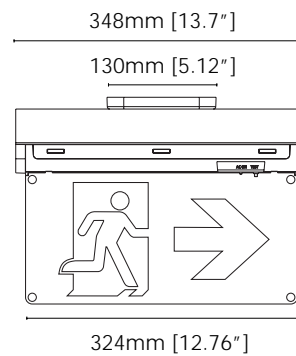
Input Voltage : 120-347Vac
 CCT : 5700-7200K
 Power consumption : 4.5W
 Emergency Duration :
 ≥2 Hours



B2408U



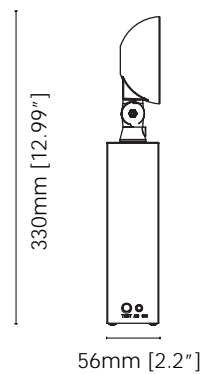
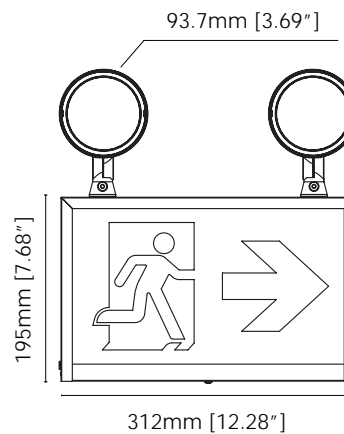
Input Voltage : 120-347Vac
 CCT : 6500K
 Power consumption : 2W
 Emergency Duration : ≥1.5
 Hours



BY-F5024CA



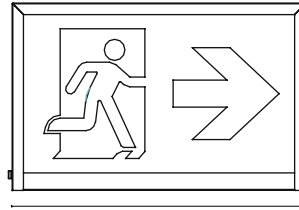
Input Voltage : 120-347Vac
 CCT : 6500K
 Power consumption : 2W
 Emergency Duration : ≥1.5
 Hours



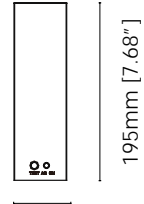
BY-F5025CA



Input Voltage : 120-347Vac
 CCT : 6500K
 Power consumption : 2W
 Emergency Duration :
 ≥2 Hours



312mm [12.28"]



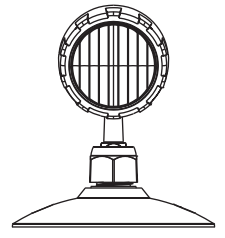
195mm [7.68"]

54mm [2.13"]

EXITA-Z1101U



Input Voltage : DC 3.6-24V
 CCT : 6000 - 6500K
 Power consumption :
 3.6V/H:1.8-2.2W
 12V/H:3.6-4.2W
 24V/H:3.6-4.4W



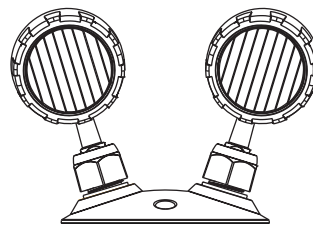
127mm [5"]

125mm [4.92"]

EXITA-Z1102U



Input Voltage : DC 3.6-24V
 CCT : 6000 - 6500K
 Power consumption :
 DC3.6V:550-620mA
 DC12V:290-330mA
 DC24V:160-200mA



185mm [7.28"]

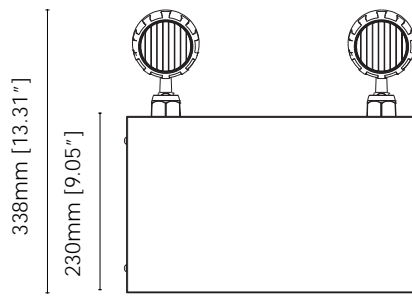
129mm [5.08"]

125mm [4.92"]

EXITA-Z1102U-N



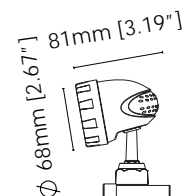
Input Voltage :
 AC120V/277V/347V
 CCT : 6000 - 6500K
 Power consumption :
 DC3.6V/H:0.95/1.15W
 DC12V:1.75-2.1W
 DC24V:1.95-2.4W



338mm [13.31"]

230mm [9.05"]

355mm [13.98"]



φ 68mm [2.67"]

81mm [3.19"]

88mm [3.46"]